

Hydraulic Motor Part Number Legend

Required Options
A25FMO-T-2AV

Seal Options
V For Optional Viton Seals only.
(No ordering code needed for standard seals)


Gerotor Size

Code	Displacement	Size
A25	0.82	.250
A37	1.16	.375
A50	1.53	.500
A62	1.88	.625
A100	3.11	1.000
A125	3.73	1.250
	IN ³ /REV.	IN.

Refer to pp.4-7 of the Hydraulic Motors Catalog for more information


Motor/Mounting Style

SHORT SHAFT

F 

Shaft Length: 1 - 1/8"

LONG SHAFT

FMO 

Shaft Length: 2 - 1/16"

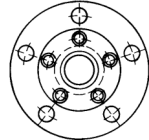
PEDESTAL MOUNT

FM 

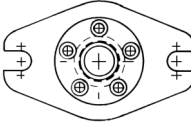
Shaft Length: 1 - 5/32"
(Protruding from Mount)

Flange Style

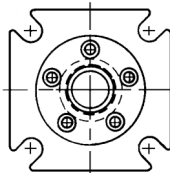
ROUND FLANGE

"Standard" (No Code) 

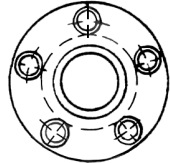
OVAL FLANGE

-2B 

SQUARE FLANGE


-4B 

TURNED DOWN

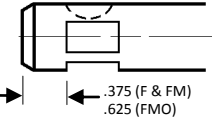
-T 

Shaft Style

404 Woodruff Key

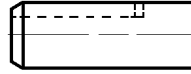
"Standard" (No Code) 

2 Flats on Shaft

-2 

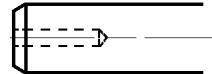
.062 deep x .50 long (F & FM type)
.062 deep x 1.00 long (FMO type)

Larger Key

-K 

(.188 wide x .10 deep x 1.25 long)

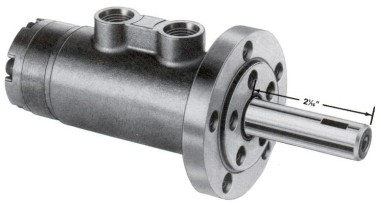
Tapped Hole

-DT 

(1/4-20 tap 7/8 deep)

Material Options

A Optional Aluminum Motor Casing and Flange
(No ordering code needed for Standard 8620 steel material)



Tel: 248-489-9122, 800-652-6462
Fax: 248-553-6842, 800-406-4410
E-Mail: sales@lamina.com



www.daytonlamina.com/hydraulics