

 **LamCam™** — Installation Tool

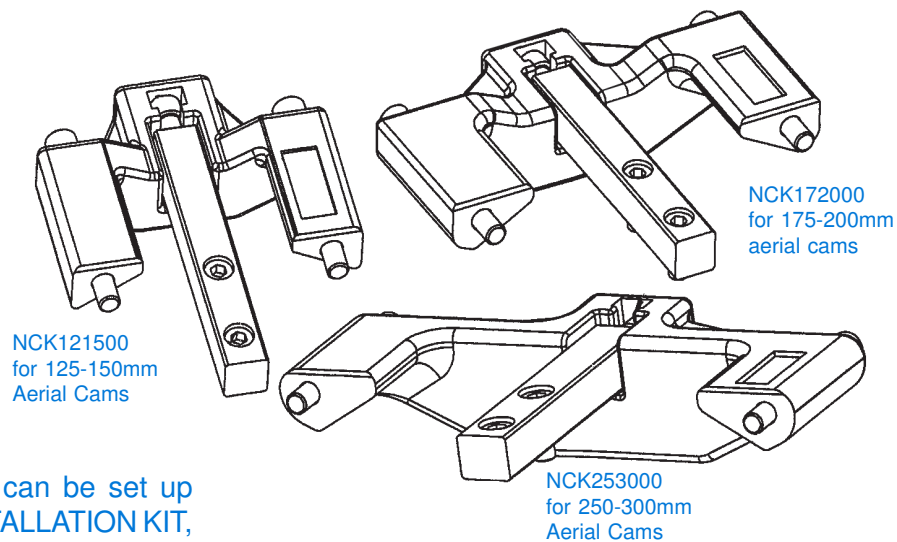
For use with Lamina NAAMS Aerial 125, 150, 175, 200, 250 & 300 Series Cams



Installation Tool

- Allows for open die fitting
- Controlled and accurate positioning of slide
- Ease of use — Accurate machining of fastening holes is not needed
- Saves set-up time
- Universal for all angles within a series
- Dynamic actuation via a screw
- Kit is complete with all necessary components in a case
- More user-friendly and attractive to our customer
- Patent Pending

LamCam™ INSTALLATION KITS are made in three sizes for all your set ups:



LamCam™ Aerial cams can be set up without benefit of the INSTALLATION KIT, however the “KIT” reduces difficulty, costly labor and makes the set up safer.

When you purchase products from the LamCam™ line of quality cams, you can be assured of the highest quality, highest service levels and the utmost degree of innovation in cam technology at reasonable prices.

Using LamCam™ will cost you the least in the long run.



38505 Country Club Drive Suite 100
Farmington Hills, MI 48331

Phone: 248-489-9122

800-652-6462

Fax: 248-553-6842

E-mail: sales@lamina.com

Web: www.anchorlamina.com



The Anchor Danly Company