

Identi[®] Spring

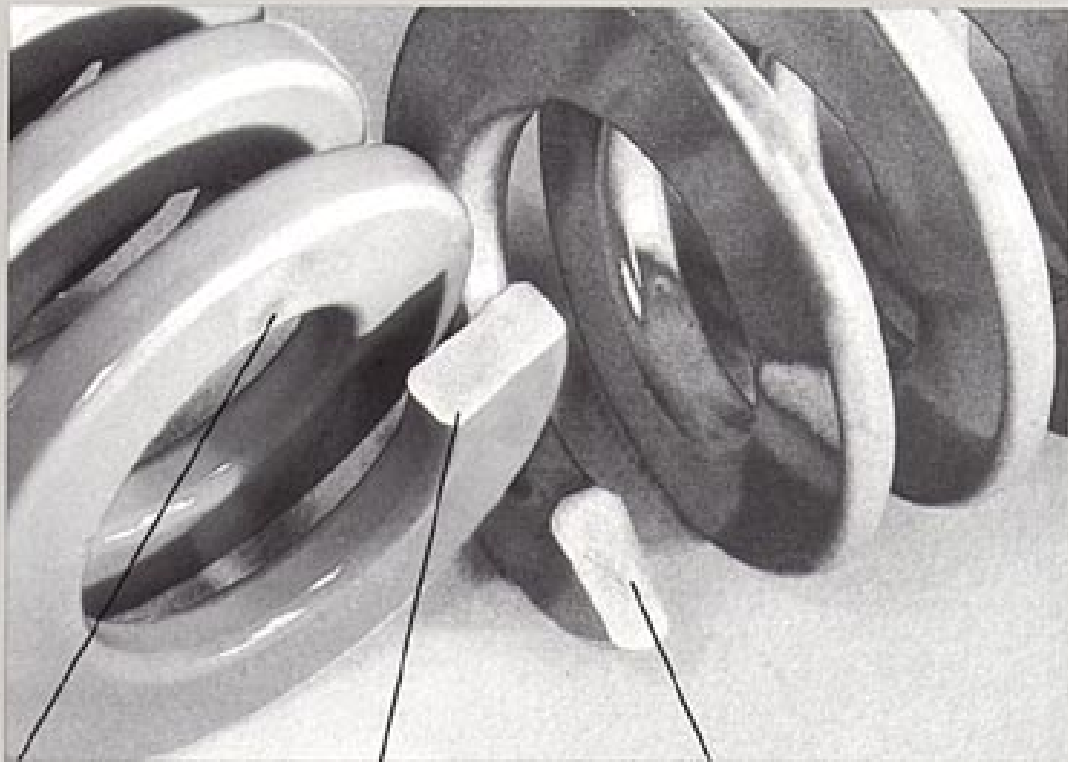
Cross Reference List



DIE SET

© Danly and Co., Ltd. All Rights Reserved.

You Can See the **Identi**® Difference.



Vacuum Degassed Valve
Spring Quality Chromium
Vanadium Steel.

D-shaped Wire Packs 15%
More Metal Into Every Inch
for Longer Life.

Some Other Springs Cut
Corners On Spring Metal!



Why Risk Downtime and Lost Production? Choose the Best Spring Steel Money Can Buy.

Valve Spring Quality, Vacuum Degassed Chromium Vanadium

If you're looking for longer life from a spring, start with one that's got the metal to go the distance. We made no compromises in choosing the steel for *Identi*[®] springs. Each is made of vacuum degassed, valve spring quality chromium vanadium steel in accordance with ASTM specifications.

In A Unique "D" Shape For Even Longer Life

Identi[®] springs are made of rectangular wire with a modified trapezoidal cross section. This wire shape, which changes to a "D" cross section during coiling, has a significantly lower maximum stress level than springs of flattened round wire made by other spring manufacturers. The lower stress level of the *Identi*[®] spring cross section contributes to substantially longer spring life.

Packed With Quality That Adds To Productivity

With *Identi*[®] springs, uniform hole and rod sizes are guaranteed. Closed and ground square ends provide a maximum bearing surface from either end. Heat treating, tempering and shot peening strengthen the working surfaces. And each *Identi*[®] spring is factory preset to solid for increased set resistance and extraordinary fatigue resistance.

Conforms to ISO 10243 And NAAMS Standards

Identi[®] springs are offered in a range of lengths, diameters and load classifications that conform to the ISO 10243 International Standard, including color coding for easy identification of load range.

Identi[®] springs also meet NAAMS (North American Automotive Metric standards) specifications.

Identi[®] spring diameters are listed in this Cross Reference List in both U.S. and European metric conversions. Using these tables, *Identi*[®] springs are interchangeable with most European springs which already conform to the European metric standard. Use them to reach a larger market and to stay competitive overseas.

Color Coded for Easy Interchangeability

All standard load classifications are available and each is completely interchangeable with other springs you may be using now. Easily recognized color coding makes it simple to convert and begin enjoying the performance advantages of *Identi*[®] springs.

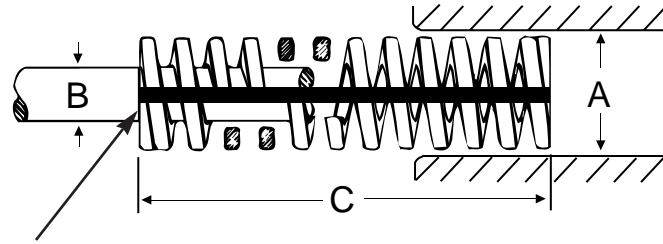
Made In The U.S.A. To ISO 9002 Quality

All Danly springs are manufactured to ISO 9002 quality standards.



Green Series

Light Load ISO Standard



Blue stripe indicates load equivalent to all Blue springs listed below.

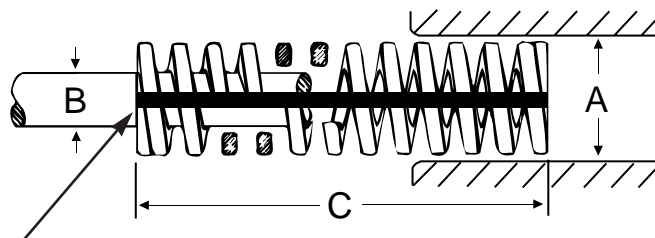
Hole Dia.	Rod Dia.	Free Length		Catalog Number					
		Inch	MM	Identi*****	Producto*****	Superior****	Dieco***	Lamina**	Lempco*
3/8	3/16	1	25	9-0604-11S	MP-02	341-0604	M-100	M-100	9-0604-1
		1 1/4	32	9-0605-11S	MP-02A	341-0605	M-100A	M-100A	9-0605-1
		1 1/2	38	9-0606-11S	MP-03	341-0606	M-101	M-101	9-0606-1
		1 3/4	44	9-0607-11S	MP-03A	341-0607	M-101A	M-101A	9-0607-1
		2	51	9-0608-11S	MP-04	341-0608	M-102	M-102	9-0608-1
		2 1/2	64	9-0610-11S	MP-05	341-0610	M-103	M-103	9-0610-1
		3	76	9-0612-11S	MP-06	341-0612	M-104	M-104	9-0612-1
		12	305	9-0648-11S	MP-024	341-0648	M-105	M-105	9-0648-1
1/2	9/32	1	25	9-0804-11S	MP-12	341-0804	M-110	M-110	9-0804-1
		1 1/4	32	9-0805-11S	MP-12A	341-0805	M-110A	M-110A	9-0805-1
		1 1/2	38	9-0806-11S	MP-13	341-0806	M-111	M-111	9-0806-1
		1 3/4	44	9-0807-11S	MP-13A	341-0807	M-111A	M-111A	9-0807-1
		2	51	9-0808-11S	MP-14	341-0808	M-112	M-112	9-0808-1
		2 1/2	64	9-0810-11S	MP-15	341-0810	M-113	M-113	9-0810-1
		3	76	9-0812-11S	MP-16	341-0812	M-114	M-114	9-0812-1
		3 1/2	89	9-0814-11S	MP-17	341-0814	M-115	M-115	9-0814-1
12	305	9-0848-11S	MP-124	341-0848	M-116	M-116	9-0848-1		
5/8	11/32	1	25	9-1004-11S	MP-22	341-1004	M-120	M-120	9-1004-1
		1 1/4	32	9-1005-11S	MP-22A	341-1005	M-120A	M-120A	9-1005-1
		1 1/2	38	9-1006-11S	MP-23	341-1006	M-121	M-121	9-1006-1
		1 3/4	44	9-1007-11S	MP-23A	341-1007	M-121A	M-121A	9-1007-1
		2	51	9-1008-11S	MP-24	341-1008	M-122	M-122	9-1008-1
		2 1/2	64	9-1010-11S	MP-25	341-1010	M-123	M-123	9-1010-1
		3	76	9-1012-11S	MP-26	341-1012	M-124	M-124	9-1012-1
		3 1/2	89	9-1014-11S	MP-27	341-1014	M-125	M-125	9-1014-1
16 MM	8 MM	4	102	9-1016-11S	MP-28	341-1016	M-126	M-126	9-1016-1
		12	305	9-1048-11S	MP-224	341-1048	M-127	M-127	9-1048-1
		1	25	9-1204-11S	MP-32	341-1204	M-1	M-1	9-1204-1
		1 1/4	32	9-1205-11S	MP-32A	341-1205	M-1A	M-1A	9-1205-1
		1 1/2	38	9-1206-11S	MP-33	341-1206	M-2	M-2	9-1206-1
		1 3/4	44	9-1207-11S	MP-33A	341-1207	M-2A	M-2A	9-1207-1
		2	51	9-1208-11S	MP-34	341-1208	M-3	M-3	9-1208-1
		2 1/2	64	9-1210-11S	MP-35	341-1210	M-4	M-4	9-1210-1
20 MM	10 MM	3	76	9-1212-11S	MP-36	341-1212	M-5	M-5	9-1212-1
		3 1/2	89	9-1214-11S	MP-37	341-1214	M-6	M-6	9-1214-1
		4	102	9-1216-11S	MP-38	341-1216	M-7	M-7	9-1216-1
		4 1/2	115	9-1218-11S	MP-39	341-1218	M-8	M-8	9-1218-1
		5	127	9-1220-11S	MP-310	341-1220	M-9	M-9	9-1220-1
		5 1/2	140	9-1222-11S	MP-311	341-1222	M-10	M-10	9-1222-1
		6	152	9-1224-11S	MP-312	341-1224	M-11	M-11	9-1224-1
		12	305	9-1248-11S	MP-324	341-1248	M-11A	M-11A	9-1248-1

Hole Dia.	Rod Dia.	Free Length		Catalog Number					
		Inch	MM	Identi*****	Producto*****	Superior****	Dieco***	Lamina**	Lempco*
1 25 MM	1/2 12.5 MM	1	25	9-1604-11S	MP-42	341-1604	M-12	M-12	9-1604-1
		1 1/4	32	9-1605-11S	MP-42A	341-1605	M-12A	M-12A	9-1605-1
		1 1/2	38	9-1606-11S	MP-43	341-1606	M-13	M-13	9-1606-1
		1 3/4	44	9-1607-11S	MP-43A	341-1607	M-13A	M-13A	9-1607-1
		2	51	9-1608-11S	MP-44	341-1608	M-14	M-14	9-1608-1
		2 1/2	64	9-1610-11S	MP-45	341-1610	M-15	M-15	9-1610-1
		3	76	9-1612-11S	MP-46	341-1612	M-16	M-16	9-1612-1
		3 1/2	89	9-1614-11S	MP-47	341-1614	M-17	M-17	9-1614-1
		4	102	9-1616-11S	MP-48	341-1616	M-18	M-18	9-1616-1
		4 1/2	115	9-1618-11S	MP-49	341-1618	M-19	M-19	9-1618-1
		5	127	9-1620-11S	MP-410	341-1620	M-20	M-20	9-1620-1
		5 1/2	140	9-1622-11S	MP-411	341-1622	M-21	M-21	9-1622-1
		6	152	9-1624-11S	MP-412	341-1624	M-22	M-22	9-1624-1
7	178	9-1628-11S	MP-414	341-1628	M-23	M-23	9-1628-1		
8	203	9-1632-11S	MP-416	341-1632	M-24	M-24	9-1632-1		
12	305	9-1648-11S	MP-424	341-1648	M-24A	M-24A	9-1648-1		
1 1/4 32 MM	5/8 16 MM	1 1/2	38	9-2006-11S	MP-53	341-2006	M-36	M-36	9-2006-1
		1 3/4	44	9-2007-11S	MP-53A	341-2007	M-36A	M-36A	9-2007-1
		2	51	9-2008-11S	MP-54	341-2008	M-37	M-37	9-2008-1
		2 1/2	64	9-2010-11S	MP-55	341-2010	M-38	M-38	9-2010-1
		3	76	9-2012-11S	MP-56	341-2012	M-39	M-39	9-2012-1
		3 1/2	89	9-2014-11S	MP-57	341-2014	M-40	M-40	9-2014-1
		4	102	9-2016-11S	MP-58	341-2016	M-41	M-41	9-2016-1
		4 1/2	115	9-2018-11S	MP-59	341-2018	M-42	M-42	9-2018-1
		5	127	9-2020-11S	MP-510	341-2020	M-43	M-43	9-2020-1
		5 1/2	140	9-2022-11S	MP-511	341-2022	M-44	M-44	9-2022-1
		6	152	9-2024-11S	MP-512	341-2024	M-45	M-45	9-2024-1
		7	178	9-2028-11S	MP-514	341-2028	M-46	M-46	9-2028-1
		8	203	9-2032-11S	MP-516	341-2032	M-47	M-47	9-2032-1
10	254	9-2040-11S	MP-520	341-2040	M-48	M-48	9-2040-1		
12	305	9-2048-11S	MP-524	341-2048	M-48A	M-48A	9-2048-1		
1 1/2 40 MM	3/4 20 MM	2	51	9-2408-11S	MP-64	341-2408	M-49	M-49	9-2408-1
		2 1/2	64	9-2410-11S	MP-65	341-2410	M-50	M-50	9-2410-1
		3	76	9-2412-11S	MP-66	341-2412	M-51	M-51	9-2412-1
		3 1/2	89	9-2414-11S	MP-67	341-2414	M-52	M-52	9-2414-1
		4	102	9-2416-11S	MP-68	341-2416	M-53	M-53	9-2416-1
		4 1/2	115	9-2418-11S	MP-69	341-2418	M-54	M-54	9-2418-1
		5	127	9-2420-11S	MP-610	341-2420	M-55	M-55	9-2420-1
		5 1/2	140	9-2422-11S	MP-611	341-2422	M-55A	M-55A	9-2422-1
		6	152	9-2424-11S	MP-612	341-2424	M-56	M-56	9-2424-1
		7	178	9-2428-11S	MP-614	341-2428	M-56A	M-56A	9-2428-1
		8	203	9-2432-11S	MP-616	341-2432	M-57	M-57	9-2432-1
		10	254	9-2440-11S	MP-620	341-2440	M-58	M-58	9-2440-1
		12	305	9-2448-11S	MP-624	341-2448	M-58A	M-58A	9-2448-1
2 50 MM	1 25 MM	2 1/2	64	9-3210-11S	MP-85	341-3210	M-70	M-70	9-3210-1
		3	76	9-3212-11S	MP-86	341-3212	M-71	M-71	9-3212-1
		3 1/2	89	9-3214-11S	MP-87	341-3214	M-72	M-72	9-3214-1
		4	102	9-3216-11S	MP-88	341-3216	M-73	M-73	9-3216-1
		4 1/2	115	9-3218-11S	MP-89	341-3218	M-74	M-74	9-3218-1
		5	127	9-3220-11S	MP-810	341-3220	M-75	M-75	9-3220-1
		5 1/2	140	9-3222-11S	MP-811	341-3222	M-76	M-76	9-3222-1
		6	152	9-3224-11S	MP-812	341-3224	M-77	M-77	9-3224-1
		7	178	9-3228-11S	MP-814	341-3228	M-79	M-79	9-3228-1
		8	203	9-3232-11S	MP-816	341-3232	M-80	M-80	9-3232-1
		10	254	9-3240-11S	MP-820	341-3240	M-82	M-82	9-3240-1
		12	305	9-3248-11S	MP-824	341-3248	M-83	M-83	9-3248-1

Blue Series

Medium Load

ISO Standard



Red stripe indicates load equivalent to all Red springs listed below.

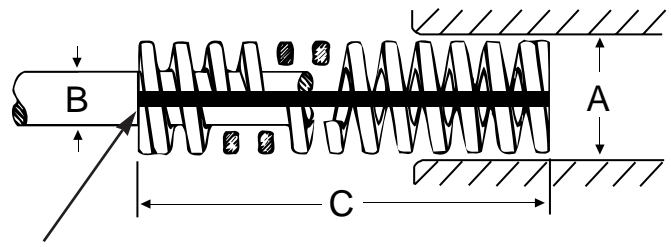
Hole Dia.	Rod Dia.	Free Length		Catalog Number					
		Inch	MM	Identi*****	Producto*****	Superior****	Dieco***	Lamina**	Lempco*
3/8	3/16	1	25	9-0604-21S	MHP-02	342-0604	MHC-100	MHC-100	9-0604-2
		1 1/4	32	9-0605-21S	MHP-02A	342-0605	MHC-100A	MHC-100A	9-0605-2
		1 1/2	38	9-0606-21S	MHP-03	342-0606	MHC-101	MHC-101	9-0606-2
		1 3/4	44	9-0607-21S	MHP-03A	342-0607	MHC-101A	MHC-101A	9-0607-2
		2	51	9-0608-21S	MHP-04	342-0608	MHC-102	MHC-102	9-0608-2
		2 1/2	64	9-0610-21S	MHP-05	342-0610	MHC-103	MHC-103	9-0610-2
		3	76	9-0612-21S	MHP-06	342-0612	MHC-104	MHC-104	9-0612-2
		12	305	9-0648-21S	MHP-024	342-0648	MHC-106	MHC-106	9-0648-2
1/2	9/32	1	25	9-0804-21S	MHP-12	342-0804	MHC-110	MHC-110	9-0804-2
		1 1/4	32	9-0805-21S	MHP-12A	342-0805	MHC-110A	MHC-110A	9-0805-2
		1 1/2	38	9-0806-21S	MHP-13	342-0806	MHC-111	MHC-111	9-0806-2
		1 3/4	44	9-0807-21S	MHP-13A	342-0807	MHC-111A	MHC-111A	9-0807-2
		2	51	9-0808-21S	MHP-14	342-0808	MHC-112	MHC-112	9-0808-2
		2 1/2	64	9-0810-21S	MHP-15	342-0810	MHC-113	MHC-113	9-0810-2
		3	76	9-0812-21S	MHP-16	342-0812	MHC-114	MHC-114	9-0812-2
		3 1/2	89	9-0814-21S	MHP-17	342-0814	MHC-115	MHC-115	9-0814-2
12	305	9-0848-21S	MHP-124	342-0848	MHC-117	MHC-117	9-0848-2		
5/8	11/32	1	25	9-1004-21S	MHP-22	342-1004	MHC-120	MHC-120	9-1004-2
		1 1/4	32	9-1005-21S	MHP-22A	342-1005	MHC-120A	MHC-120A	9-1005-2
		1 1/2	38	9-1006-21S	MHP-23	342-1006	MHC-121	MHC-121	9-1006-2
		1 3/4	44	9-1007-21S	MHP-23A	342-1007	MHC-121A	MHC-121A	9-1007-2
		2	51	9-1008-21S	MHP-24	342-1008	MHC-122	MHC-122	9-1008-2
		2 1/2	64	9-1010-21S	MHP-25	342-1010	MHC-123	MHC-123	9-1010-2
		3	76	9-1012-21S	MHP-26	342-1012	MHC-124	MHC-124	9-1012-2
		3 1/2	89	9-1014-21S	MHP-27	342-1014	MHC-125	MHC-125	9-1014-2
16	8	4	102	9-1016-21S	MHP-28	342-1016	MHC-126	MHC-126	9-1016-2
		12	305	9-1048-21S	MHP-224	342-1048	MHC-127	MHC-127	9-1048-2
		1	25	9-1204-21S	MHP-32	342-1204	MHC-1	MHC-1	9-1204-2
		1 1/4	32	9-1205-21S	MHP-32A	342-1205	MHC-1A	MHC-1A	9-1205-2
		1 1/2	38	9-1206-21S	MHP-33	342-1206	MHC-2	MHC-2	9-1206-2
		1 3/4	44	9-1207-21S	MHP-33A	342-1207	MHC-2A	MHC-2A	9-1207-2
		2	51	9-1208-21S	MHP-34	342-1208	MHC-3	MHC-3	9-1208-2
		2 1/2	64	9-1210-21S	MHP-35	342-1210	MHC-4	MHC-4	9-1210-2
20	10	3	76	9-1212-21S	MHP-36	342-1212	MHC-5	MHC-5	9-1212-2
		3 1/2	89	9-1214-21S	MHP-37	342-1214	MHC-6	MHC-6	9-1214-2
		4	102	9-1216-21S	MHP-38	342-1216	MHC-7	MHC-7	9-1216-2
		4 1/2	115	9-1218-21S	MHP-39	342-1218	MHC-8	MHC-8	9-1218-2
		5	127	9-1220-21S	MHP-310	342-1220	MHC-9	MHC-9	9-1220-2
		5 1/2	140	9-1222-21S	MHP-311	342-1222	MHC-10	MHC-10	9-1222-2
		6	152	9-1224-21S	MHP-312	342-1224	MHC-11	MHC-11	9-1224-2
		12	305	9-1248-21S	MHP-324	342-1248	MHC-11A	MHC-11A	9-1248-2

Hole Dia.	Rod Dia.	Free Length		Catalog Number					
		Inch	MM	Ident*****	Product*****	Superior****	Dieco***	Lamina**	Lempco*
1 25.4 MM	1/2 12.5 MM	1	25	9-1604-21S	MHP-42	342-1604	MHC-12	MHC-12	9-1604-2
		1 1/4	32	9-1605-21S	MHP-42A	342-1605	MHC-12A	MHC-12A	9-1605-2
		1 1/2	38	9-1606-21S	MHP-43	342-1606	MHC-13	MHC-13	9-1606-2
		1 3/4	44	9-1607-21S	MHP-43A	342-1607	MHC-13A	MHC-13A	9-1607-2
		2	51	9-1608-21S	MHP-44	342-1608	MHC-14	MHC-14	9-1608-2
		2 1/2	64	9-1610-21S	MHP-45	342-1610	MHC-15	MHC-15	9-1610-2
		3	76	9-1612-21S	MHP-46	342-1612	MHC-16	MHC-16	9-1612-2
		3 1/2	89	9-1614-21S	MHP-47	342-1614	MHC-17	MHC-17	9-1614-2
		4	102	9-1616-21S	MHP-48	342-1616	MHC-18	MHC-18	9-1616-2
		4 1/2	115	9-1618-21S	MHP-49	342-1618	MHC-19	MHC-19	9-1618-2
		5	127	9-1620-21S	MHP-410	342-1620	MHC-20	MHC-20	9-1620-2
		5 1/2	140	9-1622-21S	MHP-411	342-1622	MHC-21	MHC-21	9-1622-2
		6	152	9-1624-21S	MHP-412	342-1624	MHC-22	MHC-22	9-1624-2
		7	178	9-1628-21S	MHP-414	342-1628	MHC-23	MHC-23	9-1628-2
8	203	9-1632-21S	MHP-416	342-1632	MHC-24	MHC-24	9-1632-2		
12	305	9-1648-21S	MHP-424	342-1648	MHC-24A	MHC-24A	9-1648-2		
1 1/4 32 MM	5/8 16 MM	1 1/2	38	9-2006-21S	MHP-53	342-2006	MHC-36	MHC-36	9-2006-2
		1 3/4	44	9-2007-21S	MHP-53A	342-2007	MHC-36A	MHC-36A	9-2007-2
		2	51	9-2008-21S	MHP-54	342-2008	MHC-37	MHC-37	9-2008-2
		2 1/2	64	9-2010-21S	MHP-55	342-2010	MHC-38	MHC-38	9-2010-2
		3	76	9-2012-21S	MHP-56	342-2012	MHC-39	MHC-39	9-2012-2
		3 1/2	89	9-2014-21S	MHP-57	342-2014	MHC-40	MHC-40	9-2014-2
		4	102	9-2016-21S	MHP-58	342-2016	MHC-41	MHC-41	9-2016-2
		4 1/2	115	9-2018-21S	MHP-59	342-2018	MHC-42	MHC-42	9-2018-2
		5	127	9-2020-21S	MHP-510	342-2020	MHC-43	MHC-43	9-2020-2
		5 1/2	140	9-2022-21S	MHP-511	342-2022	MHC-44	MHC-44	9-2022-2
		6	152	9-2024-21S	MHP-512	342-2024	MHC-45	MHC-45	9-2024-2
		7	178	9-2028-21S	MHP-514	342-2028	MHC-46	MHC-46	9-2028-2
		8	203	9-2032-21S	MHP-516	342-2032	MHC-47	MHC-47	9-2032-2
		10	254	9-2040-21S	MHP-520	342-2040	MHC-48	MHC-48	9-2040-2
12	305	9-2048-21S	MHP-524	342-2048	MHC-48A	MHC-48A	9-2048-2		
1 1/2 40 MM	3/4 20 MM	2	51	9-2408-21S	MHP-64	342-2408	MHC-49	MHC-49	9-2408-2
		2 1/2	64	9-2410-21S	MHP-65	342-2410	MHC-50	MHC-50	9-2410-2
		3	76	9-2412-21S	MHP-66	342-2412	MHC-51	MHC-51	9-2412-2
		3 1/2	89	9-2414-21S	MHP-67	342-2414	MHC-52	MHC-52	9-2414-2
		4	102	9-2416-21S	MHP-68	342-2416	MHC-53	MHC-53	9-2416-2
		4 1/2	115	9-2418-21S	MHP-69	342-2418	MHC-54	MHC-54	9-2418-2
		5	127	9-2420-21S	MHP-610	342-2420	MHC-55	MHC-55	9-2420-2
		5 1/2	140	9-2422-21S	MHP-611	342-2422	MHC-55A	MHC-55A	9-2422-2
		6	152	9-2424-21S	MHP-612	342-2424	MHC-56	MHC-56	9-2424-2
		7	178	9-2428-21S	MHP-614	342-2428	MHC-56A	MHC-56A	9-2428-2
		8	203	9-2432-21S	MHP-616	342-2432	MHC-57	MHC-57	9-2432-2
		10	254	9-2440-21S	MHP-620	342-2440	MHC-58	MHC-58	9-2440-2
		12	305	9-2448-21S	MHP-624	342-2448	MHC-58A	MHC-58A	9-2448-2
		2 50 MM	1 25 MM	2 1/2	64	9-3210-21S	MHP-85	342-3210	MHC-70
3	76			9-3212-21S	MHP-86	342-3212	MHC-71	MHC-71	9-3212-2
3 1/2	89			9-3214-21S	MHP-87	342-3214	MHC-72	MHC-72	9-3214-2
4	102			9-3216-21S	MHP-88	342-3216	MHC-73	MHC-73	9-3216-2
4 1/2	115			9-3218-21S	MHP-89	342-3218	MHC-74	MHC-74	9-3218-2
5	127			9-3220-21S	MHP-810	342-3220	MHC-75	MHC-75	9-3220-2
5 1/2	140			9-3222-21S	MHP-811	342-3222	MHC-76	MHC-76	9-3222-2
6	152			9-3224-21S	MHP-812	342-3224	MHC-77	MHC-77	9-3224-2
7	178			9-3228-21S	MHP-814	342-3228	MHC-79	MHC-79	9-3228-2
8	203			9-3232-21S	MHP-816	342-3232	MHC-80	MHC-80	9-3232-2
10	254			9-3240-21S	MHP-820	342-3240	MHC-82	MHC-82	9-3240-2
12	305			9-3248-21S	MHP-824	342-3248	MHC-83	MHC-83	9-3248-2

Red Series

Heavy Load

ISO Standard



Gold stripe indicates load equivalent to all Gold springs listed below.

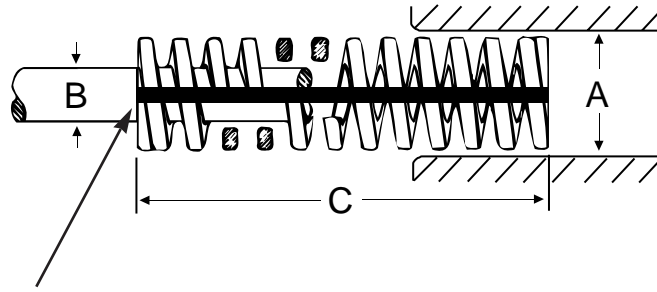
Hole Dia.	Rod Dia.	Free Length		Catalog Number					
		Inch	MM	Identi*****	Producto*****	Superior****	Dieco***	Lamina**	Lempco*
3/8	3/16	1	25	9-0604-26S	HP-02	343-0604	H-100	H-100	9-0604-3
		1 1/4	32	9-0605-26S	HP-02A	343-0605	H-100A	H-100A	9-0605-3
		1 1/2	38	9-0606-26S	HP-03	343-0606	H-101	H-101	9-0606-3
		1 3/4	44	9-0607-26S	HP-03A	343-0607	H-101A	H-101A	9-0607-3
		2	51	9-0608-26S	HP-04	343-0608	H-102	H-102	9-0608-3
		2 1/2	64	9-0610-26S	HP-05	343-0610	H-103	H-103	9-0610-3
		3	76	9-0612-26S	HP-06	343-0612	H-104	H-104	9-0612-3
		12	305	9-0648-26S	HP-024	343-0648	H-105	H-105	9-0648-3
1/2	9/32	1	25	9-0804-26S	HP-12	343-0804	H-110	H-110	9-0804-3
		1 1/4	32	9-0805-26S	HP-12A	343-0805	H-110A	H-110A	9-0805-3
		1 1/2	38	9-0806-26S	HP-13	343-0806	H-111	H-111	9-0806-3
		1 3/4	44	9-0807-26S	HP-13A	343-0807	H-111A	H-111A	9-0807-3
		2	51	9-0808-26S	HP-14	343-0808	H-112	H-112	9-0808-3
		2 1/2	64	9-0810-26S	HP-15	343-0810	H-113	H-113	9-0810-3
		3	76	9-0812-26S	HP-16	343-0812	H-114	H-114	9-0812-3
		3 1/2	89	9-0814-26S	HP-17	343-0814	H-115	H-115	9-0814-3
12	305	9-0848-26S	HP-124	343-0848	H-117	H-117	9-0848-3		
5/8	11/32	1	25	9-1004-26S	HP-22	343-1004	H-120	H-120	9-1004-3
		1 1/4	32	9-1005-26S	HP-22A	343-1005	H-120A	H-120A	9-1005-3
		1 1/2	38	9-1006-26S	HP-23	343-1006	H-121	H-121	9-1006-3
		1 3/4	44	9-1007-26S	HP-23A	343-1007	H-121A	H-121A	9-1007-3
		2	51	9-1008-26S	HP-24	343-1008	H-122	H-122	9-1008-3
		2 1/2	64	9-1010-26S	HP-25	343-1010	H-123	H-123	9-1010-3
		3	76	9-1012-26S	HP-26	343-1012	H-124	H-124	9-1012-3
		3 1/2	89	9-1014-26S	HP-27	343-1014	H-125	H-125	9-1014-3
16	8	4	102	9-1016-26S	HP-28	343-1016	H-126	H-126	9-1016-3
		12	305	9-1048-26S	HP-224	343-1048	H-127	H-127	9-1048-3
		1	25	9-1204-26S	HP-32	343-1204	H-1	H-1	9-1204-3
		1 1/4	32	9-1205-26S	HP-32A	343-1205	H-1A	H-1A	9-1205-3
		1 1/2	38	9-1206-26S	HP-33	343-1206	H-2	H-2	9-1206-3
		1 3/4	44	9-1207-26S	HP-33A	343-1207	H-2A	H-2A	9-1207-3
		2	51	9-1208-26S	HP-34	343-1208	H-3	H-3	9-1208-3
		2 1/2	64	9-1210-26S	HP-35	343-1010	H-4	H-4	9-1210-3
3/4	3/8	3	76	9-1212-26S	HP-36	343-1012	H-5	H-5	9-1212-3
		3 1/2	89	9-1214-26S	HP-37	343-1014	H-6	H-6	9-1214-3
		4	102	9-1216-26S	HP-38	343-1016	H-7	H-7	9-1216-3
		4 1/2	115	9-1218-26S	HP-39	343-1018	H-8	H-8	9-1218-3
		5	127	9-1220-26S	HP-310	343-1020	H-9	H-9	9-1220-3
		5 1/2	140	9-1222-26S	HP-311	343-1022	H-10	H-10	9-1222-3
		6	152	9-1224-26S	HP-312	343-1024	H-11	H-11	9-1224-3
		12	305	9-1248-26S	HP-324	343-1248	H-11A	H-11A	9-1248-3

Hole Dia.	Rod Dia.	Free Length		Catalog Number					
		Inch	MM	Identi*****	Producto*****	Superior****	Dieco***	Lamina**	Lempco*
1 25 MM	1/2 12.5 MM	1 1/4	32	9-1605-26S	HP-42A	343-1605	H-12A	H-12A	9-1605-3
		1 1/2	38	9-1606-26S	HP-43	343-1606	H-13	H-13	9-1606-3
		1 3/4	44	9-1607-26S	HP-43A	343-1607	H-13A	H-13A	9-1607-3
		2	51	9-1608-26S	HP-44	343-1608	H-14	H-14	9-1608-3
		2 1/2	64	9-1610-26S	HP-45	343-1610	H-15	H-15	9-1610-3
		3	76	9-1612-26S	HP-46	343-1612	H-16	H-16	9-1612-3
		3 1/2	89	9-1614-26S	HP-47	343-1614	H-17	H-17	9-1614-3
		4	102	9-1616-26S	HP-48	343-1616	H-18	H-18	9-1616-3
		4 1/2	115	9-1618-26S	HP-49	343-1618	H-19	H-19	9-1618-3
		5	127	9-1620-26S	HP-410	343-1620	H-20	H-20	9-1620-3
		5 1/2	140	9-1622-26S	HP-411	343-1622	H-20A	H-20A	9-1622-3
		6	152	9-1624-26S	HP-412	343-1624	H-21	H-21	9-1624-3
7	178	9-1628-26S	HP-414	343-1628	H-21A	H-21A	9-1628-3		
8	203	9-1632-26S	HP-416	343-1632	H-22	H-22	9-1632-3		
12	305	9-1648-26S	HP-424	343-1648	H-22A	H-22A	9-1648-3		
1 1/4 32 MM	5/8 16 MM	1 1/2	38	9-2006-26S	HP-53	343-2006	H-36	H-36	9-2006-3
		1 3/4	44	9-2007-26S	HP-53A	343-2007	H-36A	H-36A	9-2007-3
		2	51	9-2008-26S	HP-54	343-2008	H-37	H-37	9-2008-3
		2 1/2	64	9-2010-26S	HP-55	343-2010	H-38	H-38	9-2010-3
		3	76	9-2012-26S	HP-56	343-2012	H-39	H-39	9-2012-3
		3 1/2	89	9-2014-26S	HP-57	343-2014	H-40	H-40	9-2014-3
		4	102	9-2016-26S	HP-58	343-2016	H-41	H-41	9-2016-3
		4 1/2	115	9-2018-26S	HP-59	343-2018	H-42	H-42	9-2018-3
		5	127	9-2020-26S	HP-510	343-2020	H-43	H-43	9-2020-3
		5 1/2	140	9-2022-26S	HP-511	343-2022	H-44	H-44	9-2022-3
		6	152	9-2024-26S	HP-512	343-2024	H-45	H-45	9-2024-3
		7	178	9-2028-26S	HP-514	343-2028	H-46	H-46	9-2028-3
8	203	9-2032-26S	HP-516	343-2032	H-47	H-47	9-2032-3		
10	254	9-2040-26S	HP-520	343-2040	H-48	H-48	9-2040-3		
12	305	9-2048-26S	HP-524	343-2048	H-48A	H-48A	9-2048-3		
1 1/2 40 MM	3/4 20 MM	2	51	9-2408-26S	HP-64	343-2408	H-49	H-49	9-2408-3
		2 1/2	64	9-2410-26S	HP-65	343-2410	H-50	H-50	9-2410-3
		3	76	9-2412-26S	HP-66	343-2412	H-51	H-51	9-2412-3
		3 1/2	89	9-2414-26S	HP-67	343-2414	H-52	H-52	9-2414-3
		4	102	9-2416-26S	HP-68	343-2416	H-53	H-53	9-2416-3
		4 1/2	115	9-2418-26S	HP-69	343-2418	H-54	H-54	9-2418-3
		5	127	9-2420-26S	HP-610	343-2420	H-55	H-55	9-2420-3
		5 1/2	140	9-2422-26S	HP-611	343-2422	H-55A	H-55A	9-2422-3
		6	152	9-2424-26S	HP-612	343-2424	H-56	H-56	9-2424-3
		7	178	9-2428-26S	HP-614	343-2428	H-56A	H-56A	9-2428-3
		8	203	9-2432-26S	HP-616	343-2432	H-57	H-57	9-2432-3
		10	254	9-2440-26S	HP-620	343-2440	H-58	H-58	9-2440-3
12	305	9-2448-26S	HP-624	343-2448	H-58A	H-58A	9-2448-3		
2 50 MM	1 25 MM	2 1/2	64	9-3210-26S	HP-85	343-3210	H-70	H-70	9-3210-3
		3	76	9-3212-26S	HP-86	343-3212	H-71	H-71	9-3212-3
		3 1/2	89	9-3214-26S	HP-87	343-3214	H-72	H-72	9-3214-3
		4	102	9-3216-26S	HP-88	343-3216	H-73	H-73	9-3216-3
		4 1/2	115	9-3218-26S	HP-89	343-3218	H-74	H-74	9-3218-3
		5	127	9-3220-26S	HP-810	343-3220	H-75	H-75	9-3220-3
		5 1/2	140	9-3222-26S	HP-811	343-3222	H-76	H-76	9-3222-3
		6	152	9-3224-26S	HP-812	343-3224	H-77	H-77	9-3224-3
		7	178	9-3228-26S	HP-814	343-3228	H-79	H-79	9-3228-3
		8	203	9-3232-26S	HP-816	343-3232	H-80	H-80	9-3232-3
		10	254	9-3240-26S	HP-820	343-3240	H-82	H-82	9-3240-3
		12	305	9-3248-26S	HP-824	343-3248	H-83	H-83	9-3248-3

Yellow Series

Extra Heavy Load

ISO Standard



Green stripe indicates load equivalent to all Green springs listed below.

Hole Dia.	Rod Dia.	Free Length		Catalog Number					
		Inch	MM	Identj*****	Producto****	Superior****	Dieco***	Lamina**	Lempco*
3/8	3/16	1	25	9-0604-36S	XHP-02	344-0604	HX-100	XH-100	9-0604-4
		1 1/4	32	9-0605-36S	XHP-02A	344-0605	HX-100A	XH-100A	9-0605-4
		1 1/2	38	9-0606-36S	XHP-03	344-0606	HX-101	XH-101	9-0606-4
		1 3/4	44	9-0607-36S	XHP-03A	344-0607	HX-101A	XH-101A	9-0607-4
		2	51	9-0608-36S	XHP-04	344-0608	HX-102	XH-102	9-0608-4
		2 1/2	64	9-0610-36S	XHP-05	344-0610	HX-103	XH-103	9-0610-4
		3	76	9-0612-36S	XHP-06	344-0612	HX-104	XH-104	9-0612-4
		12	305	9-0648-36S	XHP-024	344-0648	HX-105	XH-105	9-0648-4
1/2	9/32	1	25	9-0804-36S	XHP-12	344-0804	HX-110	XH-110	9-0804-4
		1 1/4	32	9-0805-36S	XHP-12A	344-0805	HX-110A	XH-110A	9-0805-4
		1 1/2	38	9-0806-36S	XHP-13	344-0806	HX-111	XH-111	9-0806-4
		1 3/4	44	9-0807-36S	XHP-13A	344-0807	HX-111A	XH-111A	9-0807-4
		2	51	9-0808-36S	XHP-14	344-0808	HX-112	XH-112	9-0808-4
		2 1/2	64	9-0810-36S	XHP-15	344-0810	HX-113	XH-113	9-0810-4
		3	76	9-0812-36S	XHP-16	344-0812	HX-114	XH-114	9-0812-4
		3 1/2	89	9-0814-36S	XHP-17	344-0814	HX-115	XH-115	9-0814-4
12.5 MM	6.3 MM	12	305	9-0848-36S	XHP-124	344-0848	HX-116	XH-116	9-0848-4
		1	25	9-1004-36S	XHP-22	344-1004	HX-120	XH-120	9-1004-4
		1 1/4	32	9-1005-36S	XHP-22A	344-1005	HX-120A	XH-120A	9-1005-4
		1 1/2	38	9-1006-36S	XHP-23	344-1006	HX-121	XH-121	9-1006-4
		1 3/4	44	9-1007-36S	XHP-23A	344-1007	HX-121A	XH-121A	9-1007-4
		2	51	9-1008-36S	XHP-24	344-1008	HX-122	XH-122	9-1008-4
		2 1/2	64	9-1010-36S	XHP-25	344-1010	HX-123	XH-123	9-1010-4
		3	76	9-1012-36S	XHP-26	344-1012	HX-124	XH-124	9-1012-4
5/8	11/32	3 1/2	89	9-1014-36S	XHP-27	344-1014	HX-125	XH-125	9-1014-4
		4	102	9-1016-36S	XHP-28	344-1016	HX-126	XH-126	9-1016-4
		12	305	9-1048-36S	XHP-224	344-1048	HX-127	XH-127	9-1048-4
		1	25	9-1204-36S	XHP-32	344-1204	HX-1	XH-1	9-1204-4
		1 1/4	32	9-1205-36S	XHP-32A	344-1205	HX-1A	XH-1A	9-1205-4
		1 1/2	38	9-1206-36S	XHP-33	344-1206	HX-2	XH-2	9-1206-4
		1 3/4	44	9-1207-36S	XHP-33A	344-1207	HX-2A	XH-2A	9-1207-4
		2	51	9-1208-36S	XHP-34	344-1208	HX-3	XH-3	9-1208-4
3/4	3/8	2 1/2	64	9-1210-36S	XHP-35	344-1210	HX-4	XH-4	9-1210-4
		3	76	9-1212-36S	XHP-36	344-1212	HX-5	XH-5	9-1212-4
		3 1/2	89	9-1214-36S	XHP-37	344-1214	HX-6	XH-6	9-1214-4
		4	102	9-1216-36S	XHP-38	344-1216	HX-7	XH-7	9-1216-4
		4 1/2	115	9-1218-36S	XHP-39	344-1218	HX-8	XH-8	9-1218-4
		5	127	9-1220-36S	XHP-310	344-1220	HX-9	XH-9	9-1220-4
		5 1/2	140	9-1222-36S	XHP-311	344-1222	HX-10	XH-10	9-1222-4
		6	154	9-1224-36S	XHP-312	344-1224	HX-11	XH-11	9-1224-4
20 MM	10 MM	12	305	9-1248-36S	XHP-324	344-1248	HX-11A	XH-12	9-1248-4

Hole Dia.	Rod Dia.	Free Length		Catalog Number					
		Inch	MM	Identi*****	Producto*****	Superior****	Dieco***	Lamina**	Lempco*
1 25 MM	1/2 12.5 MM	1 1/2	38	9-1606-36S	XHP-43	344-1606	HX-13	XH-13	9-1606-4
		2	51	9-1608-36S	XHP-44	344-1608	HX-14	XH-14	9-1608-4
		2 1/2	64	9-1610-36S	XHP-45	344-1610	HX-15	XH-15	9-1610-4
		3	76	9-1612-36S	XHP-46	344-1612	HX-16	XH-16	9-1612-4
		3 1/2	89	9-1614-36S	XHP-47	344-1614	HX-17	XH-17	9-1614-4
		4	102	9-1616-36S	XHP-48	344-1616	HX-18	XH-18	9-1616-4
		4 1/2	115	9-1618-36S	XHP-49	344-1618	HX-19	XH-19	9-1618-4
		5	127	9-1620-36S	XHP-410	344-1620	HX-20	XH-20	9-1620-4
		6	152	9-1624-36S	XHP-412	344-1624	HX-21	XH-21	9-1624-4
		12	305	9-1648-36S	XHP-424	344-1648	HX-22A	XH-22A	9-1648-4
1 1/4 32 MM	5/8 16 MM	2	51	9-2008-36S	XHP-54	344-2008	HX-37	XH-37	9-2008-4
		2 1/2	64	9-2010-36S	XHP-55	344-2010	HX-38	XH-38	9-2010-4
		3	76	9-2012-36S	XHP-56	344-2012	HX-39	XH-39	9-2012-4
		3 1/2	89	9-2014-36S	XHP-57	344-2014	HX-40	XH-40	9-2014-4
		4	102	9-2016-36S	XHP-58	344-2016	HX-41	XH-41	9-2016-4
		4 1/2	115	9-2018-36S	XHP-59	344-2018	HX-42	XH-42	9-2018-4
		5	127	9-2020-36S	XHP-510	344-2020	HX-43	XH-43	9-2020-4
		6	152	9-2024-36S	XHP-512	344-2024	HX-45	XH-45	9-2024-4
		8	203	9-2032-36S	XHP-516	344-2032	HX-47	XH-47	9-2032-4
		10	254	9-2040-36S	XHP-520	344-2040	HX-48	XH-48	9-2040-4
		12	305	9-2048-36S	XHP-524	344-2048	HX-48A	XH-48A	9-2048-4
1 1/2 40 MM	3/4 20 MM	2	51	9-2408-36S	XHP-64	344-2408	HX-49	XH-49	9-2408-4
		2 1/2	64	9-2410-36S	XHP-65	344-2410	HX-50	XH-50	9-2410-4
		3	76	9-2412-36S	XHP-66	344-2412	HX-51	XH-51	9-2412-4
		3 1/2	89	9-2414-36S	XHP-67	344-2414	HX-52	XH-52	9-2414-4
		4	102	9-2416-36S	XHP-68	344-2416	HX-53	XH-53	9-2416-4
		4 1/2	115	9-2418-36S	XHP-69	344-2418	HX-54	XH-54	9-2418-4
		5	127	9-2420-36S	XHP-610	344-2420	HX-55	XH-55	9-2420-4
		6	152	9-2424-36S	XHP-612	344-2424	HX-56	XH-56	9-2424-4
		8	203	9-2432-36S	XHP-616	344-2432	HX-57	XH-57	9-2432-4
		10	254	9-2440-36S	XHP-620	344-2440	HX-58	XH-58	9-2440-4
		12	305	9-2448-36S	XHP-624	344-2448	HX-58A	XH-58A	9-2448-4
2 50 MM	1 25 MM	2 1/2	64	9-3210-36S	XHP-85	344-3210	HX-70	XH-70	9-3210-4
		3	76	9-3212-36S	XHP-86	344-3212	HX-71	XH-71	9-3212-4
		3 1/2	89	9-3214-36S	XHP-87	344-3214	HX-72	XH-72	9-3214-4
		4	102	9-3216-36S	XHP-88	344-3216	HX-73	XH-73	9-3216-4
		4 1/2	115	9-3218-36S	XHP-89	344-3218	HX-74	XH-74	9-3218-4
		5	127	9-3220-36S	XHP-810	344-3220	HX-75	XH-75	9-3220-4
		6	152	9-3224-36S	XHP-812	344-3224	HX-77	XH-77	9-3224-4
		8	203	9-3232-36S	XHP-816	344-3232	HX-80	XH-80	9-3232-4
		10	254	9-3240-36S	XHP-820	344-3240	HX-82	XH-82	9-3240-4
				12	305	9-3248-36S	XHP-824	344-3248	HX-83

*****Identi is a trademark of Danly Die Set.

*****Producto is a trademark of Producto Machine Company.

****Superior is a trademark of Superior Die Set Corporation.

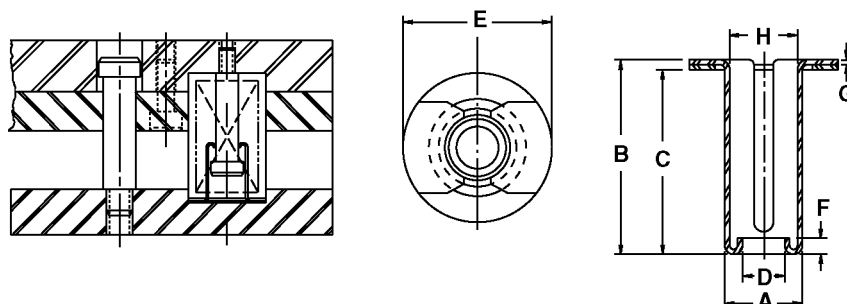
***Lamina is a trademark of Lamina Inc.

**Dieco is a trademark of Die Supply Corporation.

*Lempco is a trademark of Lempco Industries, Inc.

Spring Accessories

Spring Retainers

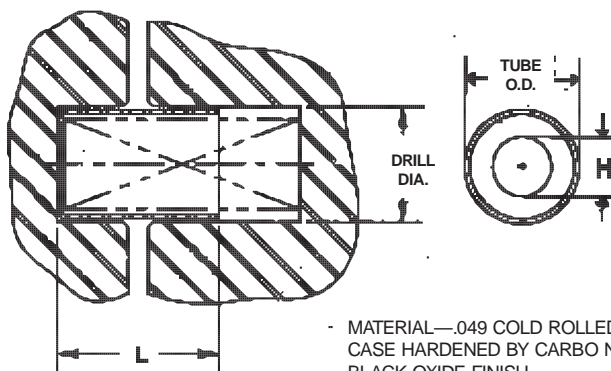


CATALOG NO.	DIMENSIONS IN INCHES							
	A	B	C	D	E	F	G	H
9-0615-16	3/4	1 7/8	1 3/4	13/32	1 7/16	5/32	16 GA.	5/8
9-0815-16	1	1 7/8	1 3/4	17/32	1 15/16	1/8	14 GA.	27/32
9-0823-16	1	2 7/8	2 3/4	17/32	1 15/16	1/8	14 GA.	27/32

Spring Cages

Sizes available for all springs

SPRING O.D.	DRILL DIA.	TUBE O.D.	A
3/4	7/8	.855	7/16
1	1-1/8	1.105	9/16
1-1/4	1-3/8	1.355	3/4
1-1/2	1-5/8	1.605	31/32
2	2-1/8	2.105	1-3/8



- MATERIAL—.049 COLD ROLLED STEEL
CASE HARDENED BY CARBO NITRIDING
BLACK OXIDE FINISH



2115 S. 54th Avenue
Chicago, IL 60804-2284

www.danly.com

CALL TOLL FREE:
1-800-243-2659
FAX 1-800-833-2659



© 1998 Danly Die Set
A Division of Connell Limited Partnership
All Rights Reserved