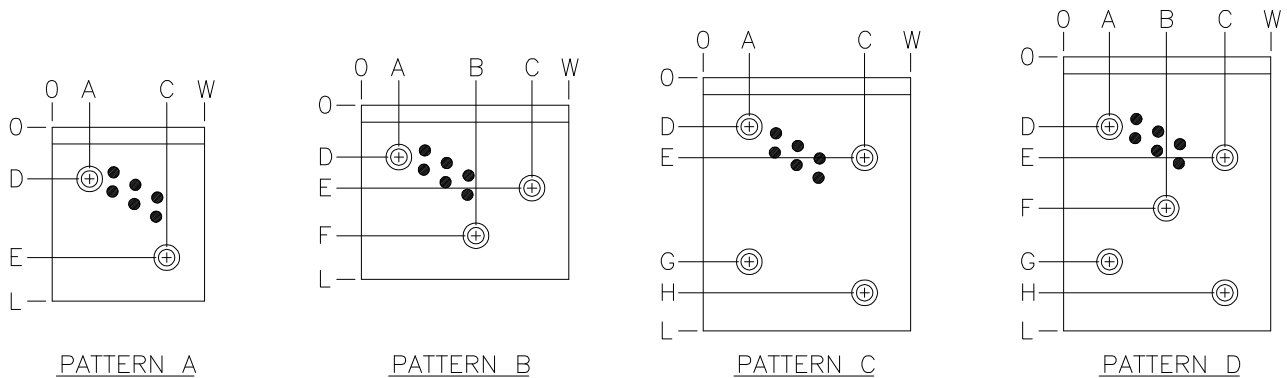
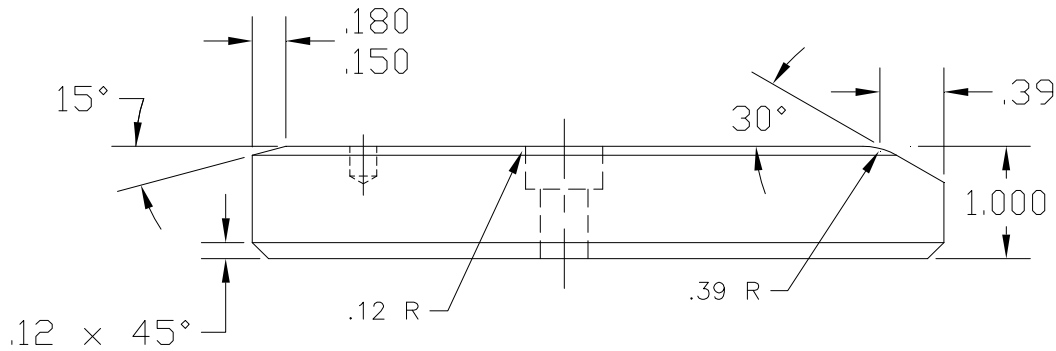


N-Series Wear Plate - Inch



Circle Pattern

MOUNTING SCREWS: 1/2" S.H.C.S

Material: Solid Bronze Steel Self Lube Plugs: Y N

- LIST ALL REQUIRED DIMENSIONS AND TOLERANCES.
- IF NO TOLERANCE IS SPECIFIED, THEN THE STANDARD CATALOG TOLERANCE WILL BE USED
- ALL SELF LUBE PRODUCTS HAVE 20-30% COVERAGE

	Description	Required Dimension								Required Tolerance
		A	B	C	D	E	F	G	H	
A-H	Mounting Hole Locations									/
W	Overall Width									/
L	Overall Length									/

Quantity Required: _____

Special Requirements:

Contact Information:

Customer:			
Contact Name:			
Phone:		FAX:	
E-Mail:			