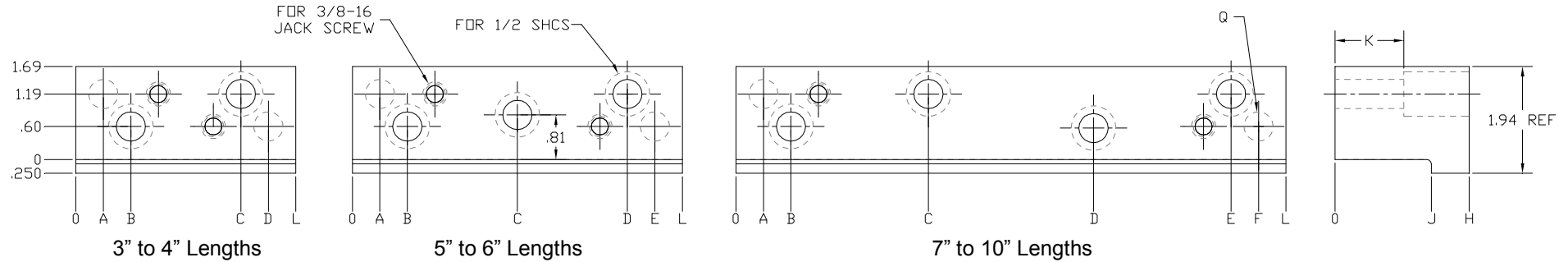


# Light Duty Keeper Block – Inch



Material:      Solid Bronze      Steel      Self Lube Plugs:      Y      N

- LIST ALL REQUIRED DIMENSIONS AND TOLERANCES.
- IF NO TOLERANCE IS SPECIFIED, THEN THE STANDARD CATALOG TOLERANCE WILL BE USED
- ALL SELF LUBE PRODUCTS HAVE 20-30% COVERAGE

	Description	Required Dimension						Required Tolerance
		A	B	C	D	E	F	
A-F	Hole Dim							/
K	From Bottom to C'bore							/
J	Lip Height							/
H	Overall Height							/
L	Overall Length							/

Quantity Required:

Special Requirements:

## Contact Information:

Customer:			
Contact Name:			
Phone:		FAX:	
E-Mail:			