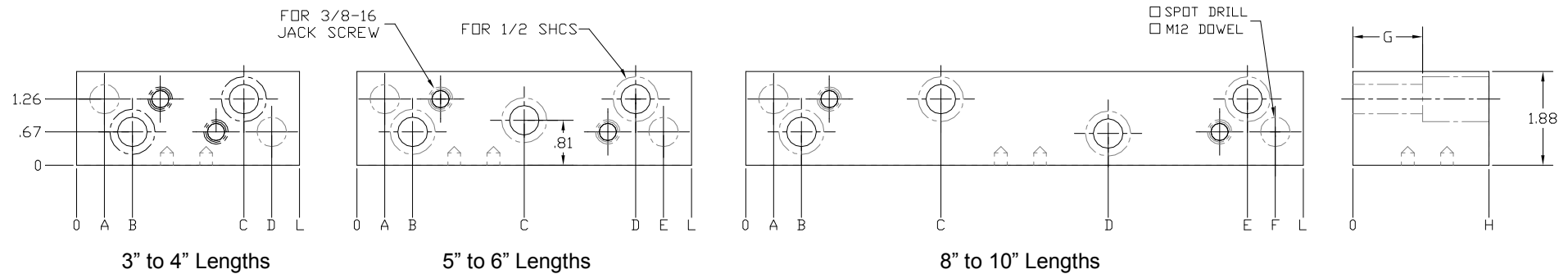


Guide Block – Inch



Material: Solid Bronze Steel Self Lube Plugs: Y N

- LIST ALL REQUIRED DIMENSIONS AND TOLERANCES.
- IF NO TOLERANCE IS SPECIFIED, THEN THE STANDARD CATALOG TOLERANCE WILL BE USED
- ALL SELF LUBE PRODUCTS HAVE 20-30% COVERAGE

	Description	Required Dimension						Required Tolerance
		A	B	C	D	E	F	
A-F	Hole Dim							/
G	Bottom to C'bore							/
H	Overall Height							/
L	Overall Length							/

Quantity Required:

Special Requirements:

Contact Information:

Customer:			
Contact Name:			
Phone:		FAX:	
E-Mail:			