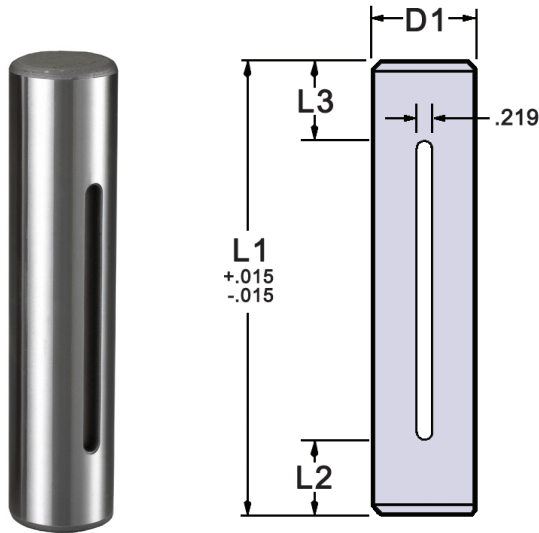




## **Ball Bearing Products Superior Product Conversion**

[www.daytonlamina.com](http://www.daytonlamina.com)  
Check our website for the latest  
technical information.

## Ball Bearing Press Fit Straight Guide Pins



Lamina's Precision Guide Post (LS1) for ball-bearing assemblies are made from chrome alloy steel, hardened to provide maximum protection against tracking and accelerated wear.

Ground to a high degree of tolerance accuracy that also provides a smooth hard wearing surface to assure free rolling of balls to maintain constant, predictable preload and complete interchangeability, not only with our own but other manufacturers' also.

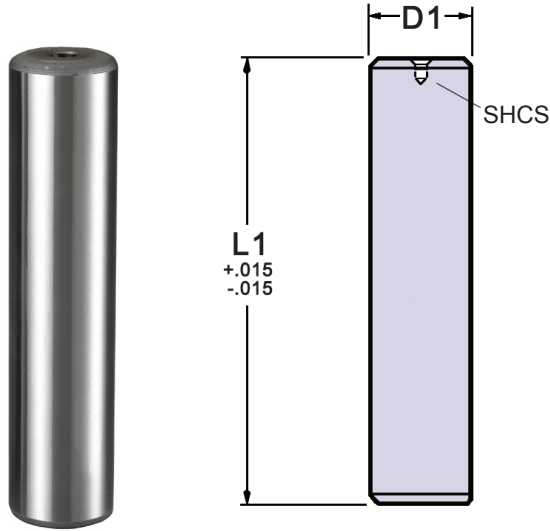
Superior Reference	PART NUMBER	NOM PIN DIA	D1	L1	L2	L3	Slot Length
331-0616	LS1-0616	0.75	0.7532 0.7530	4.00	0.700	1.000	2.300
331-0617	LS1-0617			4.25	0.700	1.000	2.550
331-0618	LS1-0618			4.50	0.700	1.000	2.800
331-0619	LS1-0619			4.75	0.700	1.000	3.050
331-0620	LS1-0620			5.00	0.700	1.000	3.300
331-0621	LS1-0621			5.25	0.700	1.000	3.550
331-0622	LS1-0622			5.50	0.700	1.000	3.800
331-0623	LS1-0623			5.75	0.700	1.000	4.050
331-0624	LS1-0624			6.00	0.700	1.000	4.300
331-0625	LS1-0625			6.25	0.700	1.000	4.550
331-0626	LS1-0626			6.50	0.700	1.000	4.800
331-0627	LS1-0627			6.75	0.700	1.000	5.050
331-0628	LS1-0628			7.00	0.700	1.000	5.300
331-0629	LS1-0629			7.25	0.700	1.000	5.550
331-0630	LS1-0630			7.50	0.700	1.000	5.800
331-0631	LS1-0631			7.75	0.700	1.000	6.050
331-0632	LS1-0632			8.00	0.700	1.000	6.300
331-0634	LS1-0634			8.50	0.700	1.000	6.800
331-0635	LS1-0635			8.75	0.700	1.000	7.050
331-0636	LS1-0636			9.00	0.700	1.000	7.300
331-0638	LS1-0638			9.50	0.700	1.000	7.800
331-0639	LS1-0639			9.75	0.700	1.000	8.050
331-0640	LS1-0640			10.00	0.700	1.000	8.300
331-0642	LS1-0642			10.50	0.700	1.000	8.800
331-0644	LS1-0644	11.00	0.700	1.000	9.300		
331-0646	LS1-0646	11.50	0.700	1.000	9.800		
331-0648	LS1-0648	12.00	0.700	1.000	10.300		

Superior Reference	PART NUMBER	NOM PIN DIA	D1	L1	L2	L3	Slot Length
331-0816	LS1-0816	1.00	1.0032 1.0030	4.00	0.875	1.375	1.750
331-0817	LS1-0817			4.25	0.875	1.375	2.000
331-0818	LS1-0818			4.50	0.875	1.375	2.250
331-0819	LS1-0819			4.75	0.875	1.375	2.500
331-0820	LS1-0820			5.00	0.875	1.375	2.750
331-0821	LS1-0821			5.25	0.875	1.375	3.000
331-0822	LS1-0822			5.50	0.875	1.375	3.250
331-0823	LS1-0823			5.75	0.875	1.375	3.500
331-0824	LS1-0824			6.00	0.875	1.375	3.750
331-0825	LS1-0825			6.25	0.875	1.375	4.000
331-0826	LS1-0826			6.50	0.875	1.375	4.250
331-0827	LS1-0827			6.75	0.875	1.375	4.500
331-0828	LS1-0828			7.00	0.875	1.375	4.750
331-0829	LS1-0829			7.25	0.875	1.375	5.000
331-0830	LS1-0830			7.50	0.875	1.375	5.250
331-0831	LS1-0831			7.75	0.875	1.375	5.500
331-0832	LS1-0832			8.00	0.875	1.375	5.750
331-0834	LS1-0834			8.50	0.875	1.375	6.250
331-0835	LS1-0835			8.75	0.875	1.375	6.500
331-0836	LS1-0836			9.00	0.875	1.375	6.750
331-0838	LS1-0838			9.50	0.875	1.375	7.250
331-0839	LS1-0839			9.75	0.875	1.375	7.500
331-0840	LS1-0840			10.00	0.875	1.375	7.750
331-0842	LS1-0842			10.50	0.875	1.375	8.250
331-0844	LS1-0844	11.00	0.875	1.375	8.750		
331-0846	LS1-0846	11.50	0.875	1.375	9.250		
331-0848	LS1-0848	12.00	0.875	1.375	9.750		

## Ball Bearing Press Fit Straight Guide Pins

Superior Reference	PART NUMBER	NOM PIN DIA	D1	L1	L2	L3	Slot Length	Superior Reference	PART NUMBER	NOM PIN DIA	D1	L1	L2	L3	Slot Length		
331-1016	LS1-1016	1.25	1.2532 1.2530	4.00	0.875	1.375	1.750	331-1434	LS1-1434	1.75	1.7532 1.7530	8.50	1.375	1.875	5.250		
331-1017	LS1-1017			4.25	0.875	1.375	2.000	331-1435	LS1-1435			8.75	1.375	1.875	5.500		
331-1018	LS1-1018			4.50	0.875	1.375	2.250	331-1436	LS1-1436			9.00	1.375	1.875	5.750		
331-1019	LS1-1019			4.75	0.875	1.375	2.500	331-1438	LS1-1438			9.50	1.375	1.875	6.250		
331-1020	LS1-1020			5.00	0.875	1.375	2.750	331-1439	LS1-1439			9.75	1.375	1.875	6.500		
331-1021	LS1-1021			5.25	0.875	1.375	3.000	331-1440	LS1-1440			10.00	1.375	1.875	6.750		
331-1022	LS1-1022			5.50	0.875	1.375	3.250	331-1442	LS1-1442			10.50	1.375	1.875	7.250		
331-1023	LS1-1023			5.75	0.875	1.375	3.500	331-1444	LS1-1444			11.00	1.375	1.875	7.750		
331-1024	LS1-1024			6.00	0.875	1.375	3.750	331-1446	LS1-1446			11.50	1.375	1.875	8.250		
331-1025	LS1-1025			6.25	0.875	1.375	4.000	331-1448	LS1-1448			12.00	1.375	1.875	8.750		
331-1026	LS1-1026			6.50	0.875	1.375	4.250	331-1620	LS1-1620			5.00	1.625	2.000	1.375		
331-1027	LS1-1027			6.75	0.875	1.375	4.500	331-1621	LS1-1621			5.25	1.625	2.000	1.625		
331-1028	LS1-1028			7.00	0.875	1.375	4.750	331-1622	LS1-1622			5.50	1.625	2.000	1.875		
331-1029	LS1-1029			7.25	0.875	1.375	5.000	331-1623	LS1-1623			5.75	1.625	2.000	2.125		
331-1030	LS1-1030			7.50	0.875	1.375	5.250	331-1624	LS1-1624			6.00	1.625	2.000	2.375		
331-1031	LS1-1031			7.75	0.875	1.375	5.500	331-1625	LS1-1625			6.25	1.625	2.000	2.625		
331-1032	LS1-1032			8.00	0.875	1.375	5.750	331-1626	LS1-1626			6.50	1.625	2.000	2.875		
331-1034	LS1-1034			8.50	0.875	1.375	6.250	331-1627	LS1-1627			6.75	1.625	2.000	3.125		
331-1035	LS1-1035			8.75	0.875	1.375	6.500	331-1628	LS1-1628	7.00	1.625	2.000	3.375				
331-1036	LS1-1036			9.00	0.875	1.375	6.750	331-1629	LS1-1629	7.25	1.625	2.000	3.625				
331-1038	LS1-1038			9.50	0.875	1.375	7.250	331-1630	LS1-1630	7.50	1.625	2.000	3.875				
331-1039	LS1-1039			9.75	0.875	1.375	7.500	331-1631	LS1-1631	7.75	1.625	2.000	4.125				
331-1040	LS1-1040			10.00	0.875	1.375	7.750	331-1632	LS1-1632	8.00	1.625	2.000	4.375				
331-1042	LS1-1042			10.50	0.875	1.375	8.250	331-1634	LS1-1634	8.50	1.625	2.000	4.875				
331-1044	LS1-1044			11.00	0.875	1.375	8.750	331-1635	LS1-1635	8.75	1.625	2.000	5.125				
331-1046	LS1-1046			11.50	0.875	1.375	9.250	331-1636	LS1-1636	9.00	1.625	2.000	5.375				
331-1048	LS1-1048			12.00	0.875	1.375	9.750	331-1638	LS1-1638	9.50	1.625	2.000	5.875				
331-1217	LS1-1217			1.50	1.5032 1.5030	4.25	1.125	1.625	1.500	331-1639	LS1-1639	2.00	2.0033 2.0031	9.75	1.625	2.000	6.125
331-1218	LS1-1218					4.50	1.125	1.625	1.750	331-1640	LS1-1640			10.00	1.625	2.000	6.375
331-1219	LS1-1219					4.75	1.125	1.625	2.000	331-1642	LS1-1642			10.50	1.625	2.000	6.875
331-1220	LS1-1220					5.00	1.125	1.625	2.250	331-1644	LS1-1644			11.00	1.625	2.000	7.375
331-1221	LS1-1221					5.25	1.125	1.625	2.500	331-1646	LS1-1646			11.50	1.625	2.000	7.875
331-1222	LS1-1222					5.50	1.125	1.625	2.750	331-1648	LS1-1648			12.00	1.625	2.000	8.375
331-1223	LS1-1223	5.75	1.125			1.625	3.000	331-1652	LS1-1652	13.00	1.625			2.000	9.375		
331-1224	LS1-1224	6.00	1.125			1.625	3.250	331-1656	LS1-1656	14.00	1.625			2.000	10.375		
331-1225	LS1-1225	6.25	1.125			1.625	3.500	331-2032	LS1-2032	8.00	2.500			3.375	2.125		
331-1226	LS1-1226	6.50	1.125			1.625	3.750	331-2034	LS1-2034	8.50	2.500			3.375	2.625		
331-1227	LS1-1227	6.75	1.125			1.625	4.000	331-2035	LS1-2035	8.75	2.500			3.375	2.875		
331-1228	LS1-1228	7.00	1.125			1.625	4.250	331-2036	LS1-2036	9.00	2.500			3.375	3.125		
331-1229	LS1-1229	7.25	1.125			1.625	4.500	331-2038	LS1-2038	9.50	2.500			3.375	3.625		
331-1230	LS1-1230	7.50	1.125			1.625	4.750	331-2039	LS1-2039	9.75	2.500			3.375	3.875		
331-1231	LS1-1231	7.75	1.125			1.625	5.000	331-2040	LS1-2040	10.00	2.500			3.375	4.125		
331-1232	LS1-1232	8.00	1.125			1.625	5.250	331-2042	LS1-2042	10.50	2.500			3.375	4.625		
331-1234	LS1-1234	8.50	1.125			1.625	5.750	331-2044	LS1-2044	11.00	2.500			3.375	5.125		
331-1235	LS1-1235	8.75	1.125			1.625	6.000	331-2046	LS1-2046	11.50	2.500			3.375	5.625		
331-1236	LS1-1236	9.00	1.125			1.625	6.250	331-2048	LS1-2048	12.00	2.500	3.375	6.125				
331-1238	LS1-1238	9.50	1.125			1.625	6.750	331-2052	LS1-2052	13.00	2.500	3.375	7.125				
331-1239	LS1-1239	9.75	1.125			1.625	7.000	331-2056	LS1-2056	14.00	2.500	3.375	8.125				
331-1240	LS1-1240	10.00	1.125			1.625	7.250	331-2432	LS1-2432	8.00	2.500	3.375	2.125				
331-1242	LS1-1242	10.50	1.125			1.625	7.750	331-2434	LS1-2434	8.50	2.500	3.375	2.625				
331-1244	LS1-1244	11.00	1.125			1.625	8.250	331-2435	LS1-2435	8.75	2.500	3.375	2.875				
331-1246	LS1-1246	11.50	1.125			1.625	8.750	331-2436	LS1-2436	9.00	2.500	3.375	3.125				
331-1248	LS1-1248	12.00	1.125			1.625	9.250	331-2438	LS1-2438	9.50	2.500	3.375	3.625				
331-1420	LS1-1420	5.00	1.375			1.875	1.750	331-2439	LS1-2439	9.75	2.500	3.375	3.875				
331-1421	LS1-1421	5.25	1.375			1.875	2.000	331-2440	LS1-2440	10.00	2.500	3.375	4.125				
331-1422	LS1-1422	5.50	1.375			1.875	2.250	331-2442	LS1-2442	10.50	2.500	3.375	4.625				
331-1423	LS1-1423	5.75	1.375			1.875	2.500	331-2444	LS1-2444	11.00	2.500	3.375	5.125				
331-1424	LS1-1424	6.00	1.375			1.875	2.750	331-2446	LS1-2446	11.50	2.500	3.375	5.625				
331-1425	LS1-1425	6.25	1.375			1.875	3.000	331-2448	LS1-2448	12.00	2.500	3.375	6.125				
331-1426	LS1-1426	6.50	1.375			1.875	3.250	331-2452	LS1-2452	13.00	2.500	3.375	7.125				
331-1427	LS1-1427	6.75	1.375	1.875	3.500	331-2456	LS1-2456	14.00	2.500	3.375	8.125						
331-1428	LS1-1428	7.00	1.375	1.875	3.750	331-2460	LS1-2460	15.00	2.500	3.375	9.125						
331-1429	LS1-1429	7.25	1.375	1.875	4.000	331-2464	LS1-2464	16.00	2.500	3.375	10.125						
331-1430	LS1-1430	7.50	1.375	1.875	4.250	331-2468	LS1-2468	17.00	2.500	3.375	11.125						
331-1431	LS1-1431	7.75	1.375	1.875	4.500	331-2472	LS1-2472	18.00	2.500	3.375	12.125						
331-1432	LS1-1432	8.00	1.375	1.875	4.750	331-2480	LS1-2480	20.00	2.500	3.375	14.125						

## Ball Bearing Press Fit Straight Guide Pins For Cage Stopper End Cap



Lamina's Precision Guide Post (LS1) for ball-bearing assemblies are made from chrome alloy steel, hardened to provide maximum protection against tracking and accelerated wear.

Ground to a high degree of tolerance accuracy that also provides a smooth hard wearing surface to assure free rolling of balls to maintain constant, predictable preload and complete interchangeability, not only with our own but other manufacturers' also.

Attach a Cage Stopper (page 13) to allow the ball bearing cage to rotate when not in preload position. The Cage Stopper is a good option when cage travel required is more than what is available with our traditional ball bearing cages.

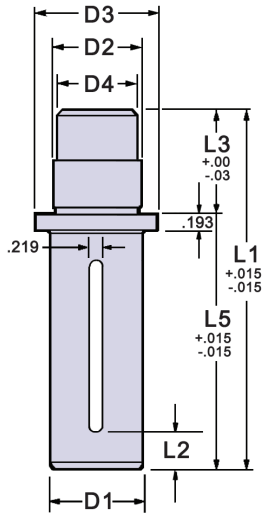
Superior Reference	PART NUMBER	NOM PIN DIA	D1	SHCS	L1			
331M0616	LS1M0616	0.75	.7532 .7530	5/16-18	4.00			
331M0617	LS1M0617				4.25			
331M0618	LS1M0618				4.50			
331M0619	LS1M0619				4.75			
331M0620	LS1M0620				5.00			
331M0621	LS1M0621				5.25			
331M0622	LS1M0622				5.50			
331M0623	LS1M0623				5.75			
331M0624	LS1M0624				6.00			
331M0625	LS1M0625				6.25			
331M0626	LS1M0626				6.50			
331M0627	LS1M0627				6.75			
331M0628	LS1M0628				7.00			
331M0629	LS1M0629				7.25			
331M0630	LS1M0630				7.50			
331M0631	LS1M0631				7.75			
331M0632	LS1M0632				8.00			
331M0634	LS1M0634				8.50			
331M0635	LS1M0635				8.75			
331M0636	LS1M0636				9.00			
331M0638	LS1M0638				9.50			
331M0639	LS1M0639				9.75			
331M0640	LS1M0640				10.00			
331M0642	LS1M0642				10.50			
331M0644	LS1M0644				11.00			
331M0646	LS1M0646				11.50			
331M0648	LS1M0648				12.00			
331M0816	LS1M0816				1.00	1.0032 1.0030	5/16-18	4.00
331M0817	LS1M0817							4.25
331M0818	LS1M0818							4.50
331M0819	LS1M0819	4.75						
331M0820	LS1M0820	5.00						
331M0821	LS1M0821	5.25						
331M0822	LS1M0822	5.50						
331M0823	LS1M0823	5.75						
331M0824	LS1M0824	6.00						
331M0825	LS1M0825	6.25						
331M0826	LS1M0826	6.50						
331M0827	LS1M0827	6.75						
331M0828	LS1M0828	7.00						

Superior Reference	PART NUMBER	NOM PIN DIA	D1	SHCS	L1			
331M0829	LS1M0829	1.00	1.0032 1.0030	5/16-18	7.25			
331M0830	LS1M0830				7.50			
331M0831	LS1M0831				7.75			
331M0832	LS1M0832				8.00			
331M0834	LS1M0834				8.50			
331M0835	LS1M0835				8.75			
331M0836	LS1M0836				9.00			
331M0838	LS1M0838				9.50			
331M0839	LS1M0839				9.75			
331M0840	LS1M0840				10.00			
331M0842	LS1M0842				10.50			
331M0844	LS1M0844				11.00			
331M0846	LS1M0846				11.50			
331M0848	LS1M0848				12.00			
331M1016	LS1M1016				1.25	1.2532 1.2530	5/16-18	4.00
331M1017	LS1M1017							4.25
331M1018	LS1M1018							4.50
331M1019	LS1M1019							4.75
331M1020	LS1M1020	5.00						
331M1021	LS1M1021	5.25						
331M1022	LS1M1022	5.50						
331M1023	LS1M1023	5.75						
331M1024	LS1M1024	6.00						
331M1025	LS1M1025	6.25						
331M1026	LS1M1026	6.50						
331M1027	LS1M1027	6.75						
331M1028	LS1M1028	7.00						
331M1029	LS1M1029	7.25						
331M1030	LS1M1030	7.50						
331M1031	LS1M1031	7.75						
331M1032	LS1M1032	8.00						
331M1034	LS1M1034	8.50						
331M1035	LS1M1035	8.75						
331M1036	LS1M1036	9.00						
331M1038	LS1M1038	9.50						
331M1039	LS1M1039	9.75						
331M1040	LS1M1040	10.00						
331M1042	LS1M1042	10.50						
331M1044	LS1M1044	11.00						
331M1046	LS1M1046	11.50						
331M1048	LS1M1048	12.00						

## Ball Bearing Press Fit Straight Guide Pins for Cage Stopper End Cap

Superior Reference	PART NUMBER	NOM PIN DIA	D1	SHCS	L1	Superior Reference	PART NUMBER	NOM PIN DIA	D1	SHCS	L1						
331M1217	LS1M1217	1.50	1.5032 1.5030	3/8-16	4.25	331M1620	LS1M1620	2.00	2.0033 2.0031	3/8-16	5.00						
331M1218	LS1M1218				4.50	331M1621	LS1M1621				5.25						
331M1219	LS1M1219				4.75	331M1622	LS1M1622				5.50						
331M1220	LS1M1220				5.00	331M1623	LS1M1623				5.75						
331M1221	LS1M1221				5.25	331M1624	LS1M1624				6.00						
331M1222	LS1M1222				5.50	331M1625	LS1M1625				6.25						
331M1223	LS1M1223				5.75	331M1626	LS1M1626				6.50						
331M1224	LS1M1224				6.00	331M1627	LS1M1627				6.75						
331M1225	LS1M1225				6.25	331M1628	LS1M1628				7.00						
331M1226	LS1M1226				6.50	331M1629	LS1M1629				7.25						
331M1227	LS1M1227				6.75	331M1630	LS1M1630				7.50						
331M1228	LS1M1228				7.00	331M1631	LS1M1631				7.75						
331M1229	LS1M1229				7.25	331M1632	LS1M1632				8.00						
331M1230	LS1M1230				7.50	331M1634	LS1M1634				8.50						
331M1231	LS1M1231				7.75	331M1635	LS1M1635				8.75						
331M1232	LS1M1232				8.00	331M1636	LS1M1636				9.00						
331M1234	LS1M1234				8.50	331M1638	LS1M1638				9.50						
331M1235	LS1M1235				8.75	331M1639	LS1M1639				9.75						
331M1236	LS1M1236				9.00	331M1640	LS1M1640				10.00						
331M1238	LS1M1238				9.50	331M1642	LS1M1642				10.50						
331M1239	LS1M1239				9.75	331M1644	LS1M1644				11.00						
331M1240	LS1M1240				10.00	331M1646	LS1M1646				11.50						
331M1242	LS1M1242				10.50	331M1648	LS1M1648				12.00						
331M1244	LS1M1244				11.00	331M1652	LS1M1652				13.00						
331M1246	LS1M1246				11.50	331M1656	LS1M1656				14.00						
331M1248	LS1M1248				12.00	331M2032	LS1M2032				8.00						
331M1420	LS1M1420				1.75	1.7532 1.7530	3/8-16				5.00	331M2034	LS1M2034	2.50	2.5033 2.5031	1/2-13	8.50
331M1421	LS1M1421										5.25	331M2035	LS1M2035				8.75
331M1422	LS1M1422										5.50	331M2036	LS1M2036				9.00
331M1423	LS1M1423										5.75	331M2038	LS1M2038				9.50
331M1424	LS1M1424	6.00	331M2039	LS1M2039				9.75									
331M1425	LS1M1425	6.25	331M2040	LS1M2040				10.00									
331M1426	LS1M1426	6.50	331M2042	LS1M2042				10.50									
331M1427	LS1M1427	6.75	331M2044	LS1M2044				11.00									
331M1428	LS1M1428	7.00	331M2046	LS1M2046				11.50									
331M1429	LS1M1429	7.25	331M2048	LS1M2048				12.00									
331M1430	LS1M1430	7.50	331M2052	LS1M2052				13.00									
331M1431	LS1M1431	7.75	331M2056	LS1M2056				14.00									
331M1432	LS1M1432	8.00	331M2432	LS1M2432				8.00									
331M1434	LS1M1434	8.50	331M2434	LS1M2434				8.50									
331M1435	LS1M1435	8.75	331M2435	LS1M2435				8.75									
331M1436	LS1M1436	9.00	331M2436	LS1M2436				9.00									
331M1438	LS1M1438	9.50	331M2438	LS1M2438				9.50									
331M1439	LS1M1439	9.75	331M2439	LS1M2439				9.75									
331M1440	LS1M1440	10.00	331M2440	LS1M2440				10.00									
331M1442	LS1M1442	10.50	331M2442	LS1M2442				10.50									
331M1444	LS1M1444	11.00	331M2444	LS1M2444				11.00									
331M1446	LS1M1446	11.50	331M2446	LS1M2446				11.50									
331M1448	LS1M1448	12.00	331M2448	LS1M2448				12.00									
			331M2452	LS1M2452				13.00									
			331M2456	LS1M2456				14.00									
			331M2460	LS1M2460				15.00									
			331M2464	LS1M2464				16.00									
			331M2468	LS1M2468				17.00									
			331M2472	LS1M2472				18.00									
			331M2480	LS1M2480				20.00									

## Demountable Ball Bearing Guide Pins



Designed to expedite die repair, these Ball Bearing flanged guide posts offer:

- Large savings in maintenance, repair costs and downtime
- Wide variety of sizes
- Long, trouble-free production runs
- Highest quality workmanship and materials
- “D2” and “D4” dimensions are finished ground

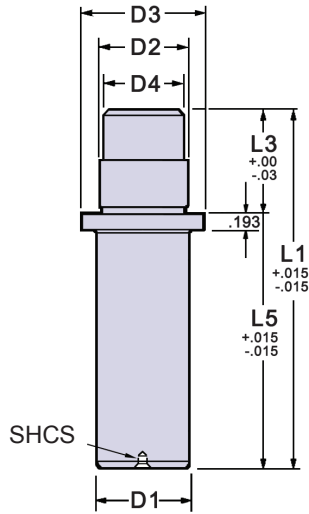
Clamps & Screws included

Superior Reference	PART NUMBER	NOM PIN DIA	D1	D2	D3	D4	L1	L2	L3	L5	Slot Length
332-0812	LS2-0812	1.00	1.0032 1.0030	1.0000 0.9998	1.250	0.9980 0.9978	4.19	0.88	1.19	3.00	2.120
332-0813	LS2-0813						4.44	0.88		3.25	2.370
332-0814	LS2-0814						4.69	0.88		3.50	2.620
332-0815	LS2-0815						4.94	0.88		3.75	2.870
332-0816	LS2-0816						5.19	1.38		4.00	2.620
332-0817	LS2-0817						5.44	1.38		4.25	2.870
332-0818	LS2-0818						5.69	1.38		4.50	3.120
332-0819	LS2-0819						5.94	1.38		4.75	3.370
332-0820	LS2-0820						6.19	1.38		5.00	3.620
332-0822	LS2-0822						6.69	1.38		5.50	4.120
332-0824	LS2-0824						7.19	1.38		6.00	4.620
332-0826	LS2-0826						7.69	1.38		6.50	5.120
332-0828	LS2-0828						8.19	1.38		7.00	5.620
332-0830	LS2-0830						8.69	1.38		7.50	6.120
332-0832	LS2-0832						9.19	1.38		8.00	6.620
332-1012	LS2-1012						1.25	1.2532 1.2530		1.2500 1.2498	1.500
332-1013	LS2-1013	4.44	0.88	3.25	2.370						
332-1014	LS2-1014	4.69	0.88	3.50	2.620						
332-1015	LS2-1015	4.94	0.88	3.75	2.870						
332-1016	LS2-1016	5.19	1.38	4.00	2.620						
332-1017	LS2-1017	5.44	1.38	4.25	2.870						
332-1018	LS2-1018	5.69	1.38	4.50	3.120						
332-1019	LS2-1019	5.94	1.38	4.75	3.370						
332-1020	LS2-1020	6.19	1.38	5.00	3.620						
332-1022	LS2-1022	6.69	1.38	5.50	4.120						
332-1024	LS2-1024	7.19	1.38	6.00	4.620						
332-1026	LS2-1026	7.69	1.38	6.50	5.120						
332-1028	LS2-1028	8.19	1.38	7.00	5.620						
332-1030	LS2-1030	8.69	1.38	7.50	6.120						
332-1032	LS2-1032	9.19	1.38	8.00	6.620						
332-1034	LS2-1034	9.69	1.38	8.50	7.120						
332-1036	LS2-1036	10.19	1.38	9.00	7.620						
332-1038	LS2-1038	10.69	1.38	9.50	8.120						
332-1040	LS2-1040	11.19	1.38	10.00	8.620						
332-1214	LS2-1214	1.50	1.5032 1.5030	1.5000 1.4998	1.750	1.4980 1.4978	4.94	1.12	1.44	3.50	2.380
332-1215	LS2-1215						5.19	1.12		3.75	2.630
332-1216	LS2-1216						5.44	1.12		4.00	2.880
332-1217	LS2-1217						5.69	1.12		4.25	3.130
332-1218	LS2-1218						5.94	1.62		4.50	2.880
332-1219	LS2-1219						6.19	1.62		4.75	3.130
332-1220	LS2-1220						6.44	1.62		5.00	3.380
332-1222	LS2-1222						6.94	1.62		5.50	3.880
332-1224	LS2-1224						7.44	1.62		6.00	4.380
332-1226	LS2-1226						7.94	1.62		6.50	4.880
332-1228	LS2-1228						8.44	1.62		7.00	5.380
332-1230	LS2-1230						8.94	1.62		7.50	5.880
332-1232	LS2-1232						9.44	1.62		8.00	6.380
332-1234	LS2-1234						9.94	1.62		8.50	6.880
332-1236	LS2-1236						10.44	1.62		9.00	7.380
332-1238	LS2-1238						10.94	1.62		9.50	7.880
332-1240	LS2-1240	11.44	1.62	10.00	8.380						

## Demountable Ball Bearing Guide Pins

Superior Reference	PART NUMBER	NOM PIN DIA	D1	D2	D3	D4	L1	L2	L3	L5	Slot Length						
332-1416	LS2-1416	1.75	<u>1.7532</u> 1.7530	<u>1.7500</u> 1.7498	2.000	<u>1.7480</u> 1.7478	5.69	1.38	1.69	4.00	2.620						
332-1417	LS2-1417						5.94	1.38		4.25	2.870						
332-1418	LS2-1418						6.19	1.38		4.50	3.120						
332-1419	LS2-1419						6.44	1.38		4.75	3.370						
332-1420	LS2-1420						6.69	1.88		5.00	3.120						
332-1422	LS2-1422						7.19	1.88		5.50	3.620						
332-1424	LS2-1424						7.69	1.88		6.00	4.120						
332-1426	LS2-1426						8.19	1.88		6.50	4.620						
332-1428	LS2-1428						8.69	1.88		7.00	5.120						
332-1430	LS2-1430						9.19	1.88		7.50	5.620						
332-1432	LS2-1432						9.69	1.88		8.00	6.120						
332-1434	LS2-1434						10.19	1.88		8.50	6.620						
332-1436	LS2-1436						10.69	1.88		9.00	7.120						
332-1438	LS2-1438						11.19	1.88		9.50	7.620						
332-1440	LS2-1440						11.69	1.88		10.00	8.120						
332-1444	LS2-1444						12.69	1.88		11.00	9.120						
332-1448	LS2-1448						13.69	1.88		12.00	10.120						
332-1616	LS2-1616	2.00	<u>2.0032</u> 2.0030	<u>2.0000</u> 1.9998	2.500	<u>1.9980</u> 1.9978	5.94	1.62	1.94	4.00	2.380						
332-1617	LS2-1617						6.44	1.62		4.50	2.880						
332-1618	LS2-1618						6.44	1.62		4.50	2.880						
332-1619	LS2-1619						6.69	1.62		4.75	3.130						
332-1620	LS2-1620						6.94	1.62		5.00	3.380						
332-1622	LS2-1622						7.44	2		5.50	3.500						
332-1624	LS2-1624						7.94	2		6.00	4.000						
332-1626	LS2-1626						8.44	2		6.50	4.500						
332-1628	LS2-1628						8.94	2		7.00	5.000						
332-1630	LS2-1630						9.44	2		7.50	5.500						
332-1632	LS2-1632						9.94	2		8.00	6.000						
332-1634	LS2-1634						10.44	2		8.50	6.500						
332-1636	LS2-1636						10.94	2		9.00	7.000						
332-1638	LS2-1638						11.44	2		9.50	7.500						
332-1640	LS2-1640						11.94	2		10.00	8.000						
332-1644	LS2-1644						12.94	2		11.00	9.000						
332-1648	LS2-1648						13.94	2		12.00	10.000						
332-1652	LS2-1652	14.94	2	13.00	11.000												
332-1656	LS2-1656	15.94	2	14.00	12.000												
332-2024	LS2-2024	2.50	<u>2.5032</u> 2.5030	<u>2.5000</u> 2.4998	3.000	<u>2.4980</u> 2.4978	7.94	2.5	1.94	6.00	3.500						
332-2026	LS2-2026						8.44	2.5		6.50	4.000						
332-2028	LS2-2028						8.94	2.5		7.00	4.500						
332-2030	LS2-2030						9.44	2.5		7.50	5.000						
332-2032	LS2-2032						9.94	2.5		8.00	5.500						
332-2034	LS2-2034						10.44	2.5		8.50	6.000						
332-2036	LS2-2036						10.94	3.38		9.00	5.620						
332-2038	LS2-2038						11.44	3.38		9.50	6.120						
332-2040	LS2-2040						11.94	3.38		10.00	6.620						
332-2044	LS2-2044						12.94	3.38		11.00	7.620						
332-2048	LS2-2048						13.94	3.38		12.00	8.620						
332-2052	LS2-2052						14.94	3.38		13.00	9.620						
332-2056	LS2-2056						15.94	3.38		14.00	10.620						
332-2060	LS2-2060						16.94	3.38		15.00	11.620						
332-2064	LS2-2064						17.94	3.38		16.00	12.620						
332-2424	LS2-2424						3.00	<u>3.0032</u> 3.0030		<u>3.0000</u> 2.9998	3.500	<u>2.9980</u> 2.9978	7.94	2.5	1.94	6.00	3.500
332-2426	LS2-2426												8.44	2.5		6.50	4.000
332-2428	LS2-2428	8.94	2.5	7.00	4.500												
332-2430	LS2-2430	9.44	2.5	7.50	5.000												
332-2432	LS2-2432	9.94	3.38	8.00	4.620												
332-2434	LS2-2434	10.44	3.38	8.50	5.120												
332-2436	LS2-2436	10.94	3.38	9.00	5.620												
332-2438	LS2-2438	11.44	3.38	9.50	6.120												
332-2440	LS2-2440	11.94	3.38	10.00	6.620												
332-2444	LS2-2444	12.94	3.38	11.00	7.620												
332-2448	LS2-2448	13.94	3.38	12.00	8.620												
332-2452	LS2-2452	14.94	3.38	13.00	9.620												
332-2456	LS2-2456	15.94	3.38	14.00	10.620												
332-2460	LS2-2460	16.94	3.38	15.00	11.620												
332-2464	LS2-2464	17.94	3.38	16.00	12.620												

# Demountable Ball Bearing Guide Pins for Cage Stopper End Cap



Designed to expedite die repair, these Ball Bearing flanged guide posts offer:

- Large savings in maintenance, repair costs and downtime
- Wide variety of sizes
- Long, trouble-free production runs
- Highest quality workmanship and materials
- “D2” and “D4” dimensions are finished ground

Attach a Cage Stopper (page 13) to allow the ball bearing cage to rotate when not in preload position. The Cage Stopper is a good option when cage travel required is more than what is available with our traditional ball bearing cages.

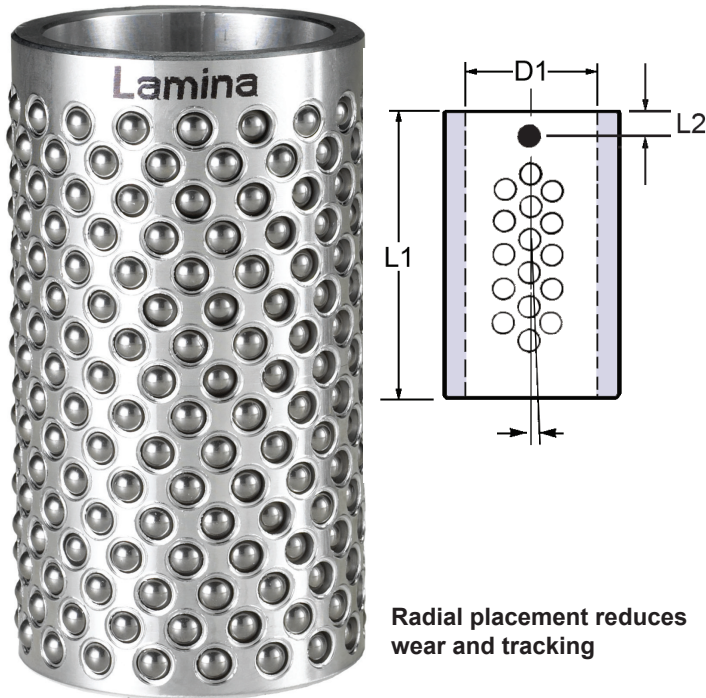
Clamps & Screws included.

Superior Reference	PART NUMBER	NOM PIN DIA	D1	D2	D3	D4	SHCS	L1	L3	L5
332M0812	LS2M0812	1.00	1.0032 1.0030	1.0000 0.9998	1.250	0.9980 0.9978	5/16-18	4.19	1.19	3.00
332M0813	LS2M0813							4.44		3.25
332M0814	LS2M0814							4.69		3.50
332M0815	LS2M0815							4.94		3.75
332M0816	LS2M0816							5.19		4.00
332M0817	LS2M0817							5.44		4.25
332M0818	LS2M0818							5.69		4.50
332M0819	LS2M0819							5.94		4.75
332M0820	LS2M0820							6.19		5.00
332M0822	LS2M0822							6.69		5.50
332M0824	LS2M0824							7.19		6.00
332M0826	LS2M0826							7.69		6.50
332M0828	LS2M0828							8.19		7.00
332M0830	LS2M0830							8.69		7.50
332M0832	LS2M0832							9.19		8.00
332M1012	LS2M1012							1.25		1.2532 1.2530
332M1013	LS2M1013	4.44	3.25							
332M1014	LS2M1014	4.69	3.50							
332M1015	LS2M1015	4.94	3.75							
332M1016	LS2M1016	5.19	4.00							
332M1017	LS2M1017	5.44	4.25							
332M1018	LS2M1018	5.69	4.50							
332M1019	LS2M1019	5.94	4.75							
332M1020	LS2M1020	6.19	5.00							
332M1022	LS2M1022	6.69	5.50							
332M1024	LS2M1024	7.19	6.00							
332M1026	LS2M1026	7.69	6.50							
332M1028	LS2M1028	8.19	7.00							
332M1030	LS2M1030	8.69	7.50							
332M1032	LS2M1032	9.19	8.00							
332M1034	LS2M1034	9.69	8.50							
332M1036	LS2M1036	10.19	9.00							
332M1038	LS2M1038	10.69	9.50							
332M1040	LS2M1040	11.19	10.00							
332M1214	LS2M1214	1.50	1.5032 1.5030	1.5000 1.4998	1.750	1.4980 1.4978	3/8-16	4.94	1.44	3.50
332M1215	LS2M1215							5.19		3.75
332M1216	LS2M1216							5.44		4.00
332M1217	LS2M1217							5.69		4.25
332M1218	LS2M1218							5.94		4.50
332M1219	LS2M1219							6.19		4.75
332M1220	LS2M1220							6.44		5.00
332M1222	LS2M1222							6.94		5.50
332M1224	LS2M1224							7.44		6.00
332M1226	LS2M1226							7.94		6.50
332M1228	LS2M1228							8.44		7.00
332M1230	LS2M1230							8.94		7.50
332M1232	LS2M1232							9.44		8.00
332M1234	LS2M1234							9.94		8.50
332M1236	LS2M1236							10.44		9.00
332M1238	LS2M1238							10.94		9.50
332M1240	LS2M1240	11.44	10.00							

## Demountable Ball Bearing Guide Pins for Cage Stopper End Cap

Superior Reference	PART NUMBER	NOM PIN DIA	D1	D2	D3	D4	SHCS	L1	L3	L5							
332M1416	LS2M1416	1.75	<u>1.7532</u> 1.7530	<u>1.7500</u> 1.7498	2.000	<u>1.7480</u> 1.7478	3/8-16	5.69	1.69	4.00							
332M1417	LS2M1417							5.94		4.25							
332M1418	LS2M1418							6.19		4.50							
332M1419	LS2M1419							6.44		4.50							
332M1420	LS2M1420							6.69		5.00							
332M1422	LS2M1422							7.19		5.50							
332M1424	LS2M1424							7.69		6.00							
332M1426	LS2M1426							8.19		6.50							
332M1428	LS2M1428							8.69		7.00							
332M1430	LS2M1430							9.19		7.50							
332M1432	LS2M1432							9.69		8.00							
332M1434	LS2M1434							10.19		8.50							
332M1436	LS2M1436							10.69		9.00							
332M1438	LS2M1438							11.19		9.50							
332M1440	LS2M1440							11.69		10.00							
332M1444	LS2M1444							12.69		11.00							
332M1448	LS2M1448							13.69		12.00							
332M1616	LS2M1616							2.00		<u>2.0032</u> 2.0030	<u>2.0000</u> 1.9998	2.500	<u>1.9980</u> 1.9978	3/8-16	5.94	1.94	4.00
332M1617	LS2M1617														6.19		4.25
332M1618	LS2M1618														6.44		4.50
332M1619	LS2M1619	6.69	4.75														
332M1620	LS2M1620	6.94	5.00														
332M1622	LS2M1622	7.44	5.50														
332M1624	LS2M1624	7.94	6.00														
332M1626	LS2M1626	8.44	6.50														
332M1628	LS2M1628	8.94	7.00														
332M1630	LS2M1630	9.44	7.50														
332M1632	LS2M1632	9.94	8.00														
332M1634	LS2M1634	10.44	8.50														
332M1636	LS2M1636	10.94	9.00														
332M1638	LS2M1638	11.44	9.50														
332M1640	LS2M1640	11.94	10.00														
332M1644	LS2M1644	12.94	11.00														
332M1648	LS2M1648	13.94	12.00														
332M1652	LS2M1652	14.94	13.00														
332M1656	LS2M1656	15.94	14.00														
332M2024	LS2M2024	2.50	<u>2.5032</u> 2.5030	<u>2.5000</u> 2.4998	3.000	<u>2.4980</u> 2.4978	1/2-13		7.94						1.94		6.00
332M2026	LS2M2026							8.44	6.50								
332M2028	LS2M2028							8.94	7.00								
332M2030	LS2M2030							9.44	7.50								
332M2032	LS2M2032							9.94	8.00								
332M2034	LS2M2034							10.44	8.50								
332M2036	LS2M2036							10.94	9.00								
332M2038	LS2M2038							11.44	9.50								
332M2040	LS2M2040							11.94	10.00								
332M2044	LS2M2044							12.94	11.00								
332M2048	LS2M2048							13.94	12.00								
332M2052	LS2M2052							14.94	13.00								
332M2056	LS2M2056							15.94	14.00								
332M2060	LS2M2060							16.94	15.00								
332M2064	LS2M2064							17.94	16.00								
332M2424	LS2M2424							3.00	<u>3.0032</u> 3.0030	<u>3.0000</u> 2.9998	3.500	<u>2.9980</u> 2.9978	1/2-13	7.94		1.94	6.00
332M2426	LS2M2426													8.44			6.50
332M2428	LS2M2428													8.94			7.00
332M2430	LS2M2430													9.44			7.50
332M2432	LS2M2432													9.94			8.00
332M2434	LS2M2434	10.44	8.50														
332M2436	LS2M2436	10.94	9.00														
332M2438	LS2M2438	11.44	9.50														
332M2440	LS2M2440	11.94	10.00														
332M2444	LS2M2444	12.94	11.00														
332M2448	LS2M2448	13.94	12.00														
332M2452	LS2M2452	14.94	13.00														
332M2456	LS2M2456	15.94	14.00														
332M2460	LS2M2460	16.94	15.00														
332M2464	LS2M2464	17.94	16.00														

## Ball Bearing Cages, Type A



Lamina ball-bearing retainers (AR1) are made of a heat-treated aluminum alloy that combines lightness and strength.

Each retainer is quality inspected for dimensional tolerance and all burrs are removed prior to ball insertion.

Ball bearings are of the highest quality ISO 3290 Grade 24, continually inspected to meet our exacting tolerance.

After the ball bearings have been inserted into the retainer, they are then staked using Lamina's unique method that allows free movement with maximum security.

After staking, the retainers are then scrubbed to remove all metal particles that could cause accelerated tracking and grooving in the post and bushing.

Ball bearings are placed in retainers in an off-line radial pattern that offers optimum life in high or low speed presses.

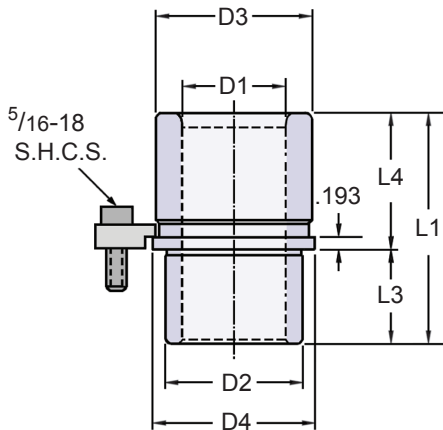
Ball-bearing retainers are fastened to the guide post by means of a set screw and slot in guide post and are interchangeable with other manufacturers using this method.

BALL-BEARING RETAINER (STANDARD)					
SUPERIOR REFERENCE	PART NUMBER	D1	L1	BALL BEARING DIA	L2 SET SCREW
335-0606	AR1-0606	3/4"	1.50	0.187	
335-0607	AR1-0607		1.75		
335-0608	AR1-0608		2.00		
335-0609	AR1-0609		2.25		
335-0610	AR1-0610		2.50		
335-0806	AR1-0806	1"	1.50		
335-0807	AR1-0807		1.75		
335-0808	AR1-0808		2.00		
335-0809	AR1-0809		2.25		
335-0810	AR1-0810		2.50		
335-0812	AR1-0812	1-1/4"	3.00		
335-0816	AR1-0816		4.00		
335-1008	AR1-1008		2.00		
335-1009	AR1-1009		2.25		
335-1010	AR1-1010		2.50		
335-1011	AR1-1011	2.75			
335-1012	AR1-1012	3.00			
335-1013	AR1-1013	3.25			
335-1014	AR1-1014	3.50			
335-1015	AR1-1015	3.75			
335M1208*	AR1M1208*	1-1/2"	2.00		
335-1210	AR1-1210		2.50		
335-1211	AR1-1211		2.75		
335-1212	AR1-1212		3.00		
335-1213	AR1-1213		3.25		
335-1214	AR1-1214	3.50			
335-1215	AR1-1215	3.75			
335M1409*	AR1M1409*	1-3/4"	2.25		
335-1411	AR1-1411		2.75		
335-1412	AR1-1412		3.00		
335-1413	AR1-1413		3.25		
335-1414	AR1-1414		3.50		
335-1415	AR1-1415	3.75			
335-1416	AR1-1416	4.00			
335-1417	AR1-1417	4.25			
335M1609*	AR1M1609*	2"	2.25		
335-1611	AR1-1611		2.75		
335-1612	AR1-1612		3.00		
335-1613	AR1-1613		3.25		
335-1614	AR1-1614		3.50		
335-1615	AR1-1615		3.75		
335-1616	AR1-1616		4.00		
335-1617	AR1-1617		4.25		
335-1618	AR1-1618	4.50			
335-1622	AR1-1622	5.50			
335-2013	AR1-2013	2-1/2"	3.25		
335-2016	AR1-2016		4.00		
335-2018	AR1-2018		4.50		
335-2020	AR1-2020		5.00		
335-2022	AR1-2022		5.50		
335-2024	AR1-2024	6.00			
335-2025	AR1-2025	6.25			
335-2026	AR1-2026	6.50			
335-2028	AR1-2028	7.00			
335-2420	AR1-2420	3"	5.00		
335-2424	AR1-2424		6.00		
335-2428	AR1-2428		7.00		

*Part numbers highlighted in blue designate that the retainer length is recommended for general die set applications. Lengths not highlighted are for limited space use and special applications*

*\*For Cage Stopper System Only*

## Ball Bearing Demountable Shoulder Bushings



Demountable shoulder bushings offer all the advantages of straight sleeve bushings and combine them with the convenience of easy assembly and disassembly.

These clamp type bushings are meant to be wring fit into the die shoe and should never be forced or inserted by hammering.

Clamps and screws included.

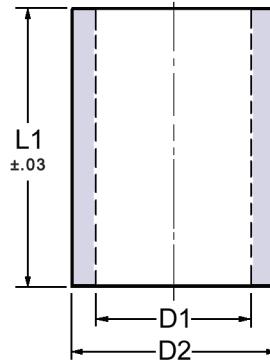
BALL-BEARING BUSHINGS – DEMOUNTABLE									
SUPERIOR REFERENCE	PART NUMBER	NOM PIN DIA	D1	D2	D3	D4	L1	L3	L4
336-0810	LS6-0810	1"	1.3777 1.3774	1.7162 1.7160	2.00	2.00	2.125	1.13	1.00
336-0820	LS6-0820						3.125		2.00
336-0830	LS6-0830						4.125		3.00
336-0840	LS6-0840						5.125		4.00
336-0850	LS6-0850						6.125		5.00
336-0860	LS6-0860						7.125		6.00
336-1010	LS6-1010	1-1/4"	1.6277 1.6274	2.1062 2.1060	2.38	2.38	2.375	1.38	1.00
336-1020	LS6-1020						3.375		2.00
336-1030	LS6-1030						4.375		3.00
336-1040	LS6-1040						5.375		4.00
336-1050	LS6-1050						6.375		5.00
336-1060	LS6-1060						7.375		6.00
336-1210	LS6-1210	1-1/2"	1.8778 1.8775	2.4362 2.4360	2.69	2.69	2.375	1.38	1.00
336-1220	LS6-1220						3.375		2.00
336-1230	LS6-1230						4.375		3.00
336-1240	LS6-1240						5.375		4.00
336-1250	LS6-1250						6.375		5.00
336-1260	LS6-1260						7.375		6.00
336-1410	LS6-1410	1-3/4"	2.1278 2.1275	2.7462 2.7460	3.00	3.00	2.625	1.63	1.00
336-1420	LS6-1420						3.625		2.00
336-1430	LS6-1430						4.625		3.00
336-1440	LS6-1440						5.625		4.00
336-1450	LS6-1450						6.625		5.00
336-1460	LS6-1460						7.625		6.00
336-1610	LS6-1610	2"	2.5028 2.5025	3.1612 3.1610	3.56	3.56	2.875	1.88	1.00
336-1620	LS6-1620						3.875		2.00
336-1630	LS6-1630						4.875		3.00
336-1640	LS6-1640						5.875		4.00
336-1650	LS6-1650						6.875		5.00
336-1660	LS6-1660						7.875		6.00
336-2010	LS6-2010	2-1/2"	3.0028 3.0025	3.6812 3.6810	4.06	4.06	2.875	1.88	1.00
336-2020	LS6-2020						3.875		2.00
336-2030	LS6-2030						4.875		3.00
336-2040	LS6-2040						5.875		4.00
336-2050	LS6-2050						6.875		5.00
336-2060	LS6-2060						7.875		6.00
336-2420	LS6-2420	3"	3.5028 3.5025	4.1812 4.1810	4.50	4.50	4.375	2.38	2.00
336-2430	LS6-2430						5.375		3.00
336-2440	LS6-2440						6.375		4.00
336-2450	LS6-2450						7.375		5.00
336-2460	LS6-2460						8.375		6.00

## Ball Bearing Press Fit Straight Bushings

Lamina's Ball-Bearing Guide Assembly Bushings (LS7) are made from vacuum degassed chrome alloy steel, hardened to precise Rockwell limits to give minimum tracking, grooving and downtime.

Lamina's ball-bearing bushings are ground and honed to exacting tolerance limits. Using electronic and air checking instruments on the I.D. and O.D. make them interchangeable and do not require select fitting.

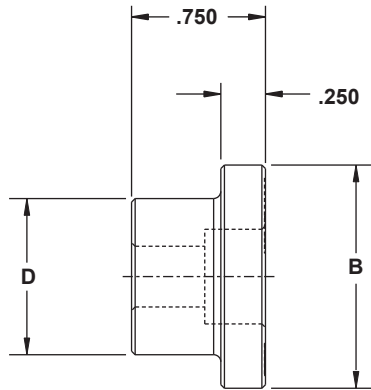
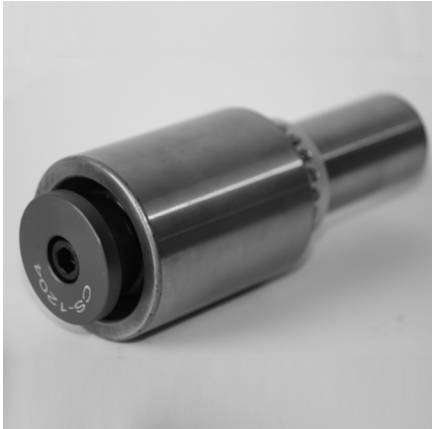
The top is chamfered on the I.D. to minimize wear and aid alignment when disengagement is required.



Superior Reference	PART NUMBER	NOM PIN DIA	D1	D2	L1			
337-0608	LS7-0608	3/4"	1.1273 1.1270	1.3870 1.3865	2.00			
337-0610	LS7-0610				2.50			
337-0612	LS7-0612				3.00			
337-0614	LS7-0614				3.50			
337-0616	LS7-0616				4.00			
337-0618	LS7-0618				4.50			
337-0620	LS7-0620				5.00			
337-0622	LS7-0622				5.50			
337-0808	LS7-0808				1"	1.3777 1.3774	1.7180 1.7175	2.00
337-0810	LS7-0810							2.50
337-0812	LS7-0812	3.00						
337-0814	LS7-0814	3.50						
337-0816	LS7-0816	4.00						
337-0818	LS7-0818	4.50						
337-0820	LS7-0820	5.00						
337-0822	LS7-0822	5.50						
337-1012	LS7-1012	1-1/4"	1.6277 1.6274	2.1080 2.1075				3.00
337-1014	LS7-1014							3.50
337-1016	LS7-1016				4.00			
337-1018	LS7-1018				4.50			
337-1020	LS7-1020				5.00			
337-1022	LS7-1022				5.50			
337-1024	LS7-1024				6.00			
337-1026	LS7-1026				6.50			
337-1028	LS7-1028				7.00			
337-1030	LS7-1030				7.50			
337-1032	LS7-1032	8.00						
337-1212	LS7-1212	1-1/2"	1.8778 1.8775	2.4380 2.4375	3.00			
337-1214	LS7-1214				3.50			
337-1216	LS7-1216				4.00			
337-1218	LS7-1218				4.50			
337-1220	LS7-1220				5.00			
337-1222	LS7-1222				5.50			
337-1224	LS7-1224				6.00			
337-1226	LS7-1226				6.50			
337-1228	LS7-1228				7.00			
337-1230	LS7-1230				7.50			
337-1232	LS7-1232	8.00						
337-1234	LS7-1234	8.50						
337-1236	LS7-1236	9.00						
337-1412	LS7-1412	1-3/4"	2.1278 2.1275	2.7480 2.7475	3.00			
337-1414	LS7-1414				3.50			
337-1416	LS7-1416				4.00			
337-1418	LS7-1418				4.50			
337-1420	LS7-1420				5.00			
337-1422	LS7-1422				5.50			
337-1424	LS7-1424				6.00			
337-1426	LS7-1426				6.50			

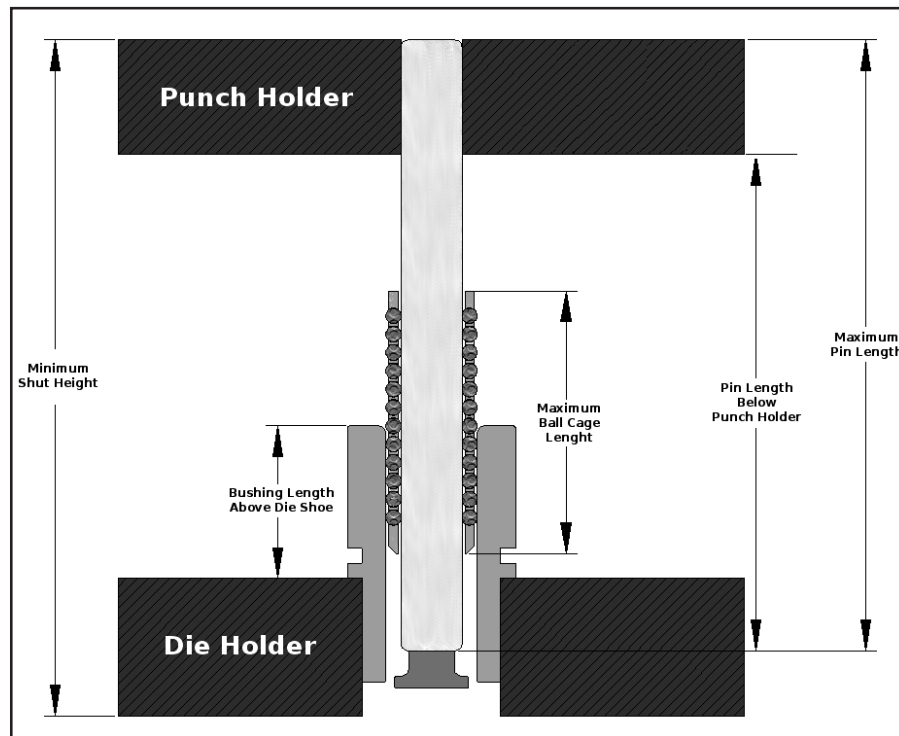
Superior Reference	PART NUMBER	NOM PIN DIA	D1	D2	L1			
337-1428	LS7-1428	1-3/4"	2.1278 2.1275	2.7480 2.7475	7.00			
337-1430	LS7-1430				7.50			
337-1432	LS7-1432				8.00			
337-1434	LS7-1434				8.50			
337-1436	LS7-1436				9.00			
337-1438	LS7-1438				9.50			
337-1440	LS7-1440				10.00			
337-1444	LS7-1444				11.00			
337-1612	LS7-1612				2"	2.5028 2.5025	3.1630 3.1625	3.00
337-1614	LS7-1614							3.50
337-1616	LS7-1616	4.00						
337-1618	LS7-1618	4.50						
337-1620	LS7-1620	5.00						
337-1622	LS7-1622	5.50						
337-1624	LS7-1624	6.00						
337-1626	LS7-1626	6.50						
337-1628	LS7-1628	7.00						
337-1630	LS7-1630	7.50						
337-1632	LS7-1632	8.00						
337-1634	LS7-1634	8.50						
337-1636	LS7-1636	9.00						
337-1638	LS7-1638	9.50						
337-1640	LS7-1640	10.00						
337-1644	LS7-1644	11.00						
337-2020	LS7-2020	2-1/2"	3.0028 3.0025	3.6830 3.6825	5.00			
337-2022	LS7-2022				5.50			
337-2024	LS7-2024				6.00			
337-2026	LS7-2026				6.50			
337-2028	LS7-2028				7.00			
337-2030	LS7-2030				7.50			
337-2032	LS7-2032				8.00			
337-2034	LS7-2034				8.50			
337-2036	LS7-2036				9.00			
337-2038	LS7-2038				9.50			
337-2040	LS7-2040	10.00						
337-2044	LS7-2044	11.00						
337-2424	LS7-2424	3"	3.5028 3.5025	4.1830 4.1825	6.00			
337-2426	LS7-2426				6.50			
337-2428	LS7-2428				7.00			
337-2430	LS7-2430				7.50			
337-2432	LS7-2432				8.00			
337-2434	LS7-2434				8.50			
337-2436	LS7-2436				9.00			
337-2438	LS7-2438				9.50			
337-2440	LS7-2440				10.00			
337-2444	LS7-2444				11.00			
337-2448	LS7-2448	12.00						
337-2452	LS7-2452	13.00						
337-2456	LS7-2456	14.00						

## Cage Stopper End Cap



Lamina's Cage Stopper End Cap is an alternative method to attach the ball bearing cage to a ball bearing guide post. The Cage Stopper attaches to the guide post, allowing the ball bearing cage to rotate when not in preload position. The Cage Stopper is a good option when cage travel required is more than what is available with our traditional ball bearing cages. A socket head cap screw is also included.

SUPERIOR REFERENCE	PART NUMBER	Guide Pin Diameter (in)	B (in)	D (in)	SHCS Used
334-0804	<b>CS-0804</b>	1	1.250	0.875	5/16
334-1004	<b>CS-1004</b>	1 1/4	1.500	1.125	
334-1204	<b>CS-1204</b>	1 1/2	1.750	1.375	3/8
334-1404	<b>CS-1404</b>	1 3/4	2.000	1.625	
334-1604	<b>CS-1604</b>	2	2.375	1.875	
334-2004	<b>CS-2004</b>	2 1/2	2.875	2.375	1/2
334-2404	<b>CS-2404</b>	3	3.375	2.875	



**Socket Head Cap Screw included**



# DAYTON LAMINA

---

**WE ARE COMMITTED TO BE THE  
CUSTOMER FOCUSED  
WORLD CLASS COMPONENTS  
SUPPLIER OF CHOICE TO THE  
METAL STAMPING & PLASTICS INDUSTRY**

---



**IEM<sup>®</sup>**



**Lamina<sup>®</sup> LEMPCO<sup>®</sup>**

Dayton, OH 937-859-5111  
Toll-Free 800-652-6462 | Fax 800-406-4410

**DaytonLamina.com**